



FORM 1 GRAPHICAL COMMUNICATION TIME: 2 hours

Name: _____

Class: _____

Instructions

- Write your name and class on all sheets.
- Attempt **ALL** questions.
- Answer all questions accurately, using instruments, unless otherwise stated.
- All construction lines **MUST** be shown.
- Drawing aids may be used.
- All dimensions are in millimetres.
- Estimate any missing dimension.
- Marks will be awarded for accuracy, clarity and construction.

Question	1	2	3	4	5	6	7	Total
Max. mark	10	16	14	18	16	14	12	100
Mark								

1. In the title (name) block provided on the starter sheet, print in freehand simple block letters:
 - (a) Your surname and name.
 - (b) Your class.
 - (c) Date.
 - (d) As a title write down the name '**KITCHEN CHAIR**'.

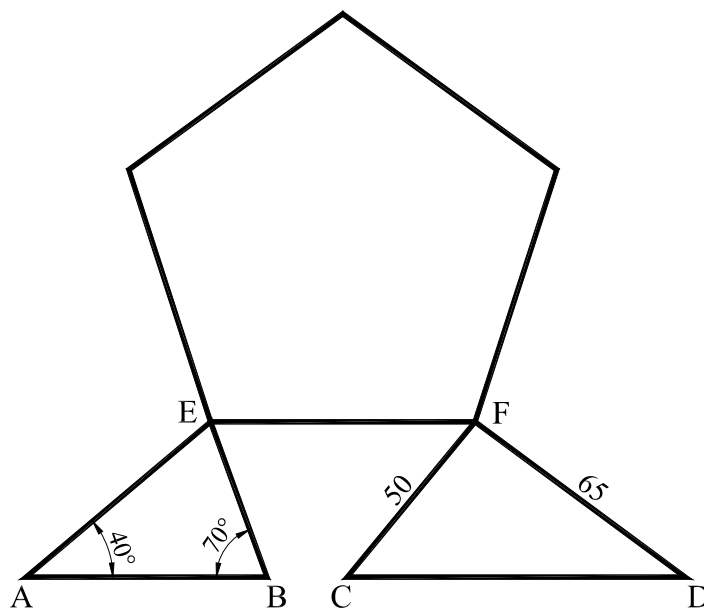
10 marks

2. Two different triangles and a regular pentagon are shown.
 - (a) Using the start lines given on the starter sheet, construct one triangle on line A B and the other triangle on line C D.
 - (b) Use E F as a base line and construct the regular pentagon using any geometrical method.

8 marks

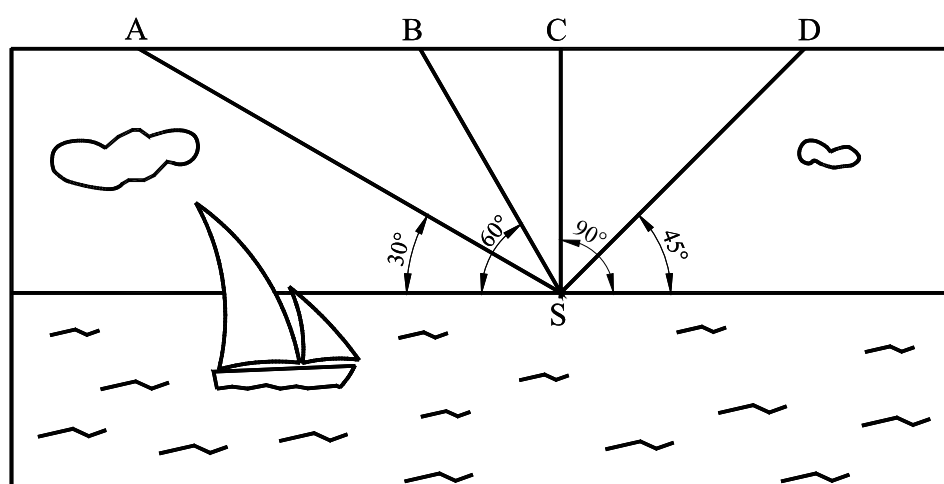
8 marks

Total: 16 marks



3. The drawing below shows a seaside scene. Complete a similar drawing given on the starter sheet by constructing the four sun rays SA, SB, SC, and SD according to the given angles.

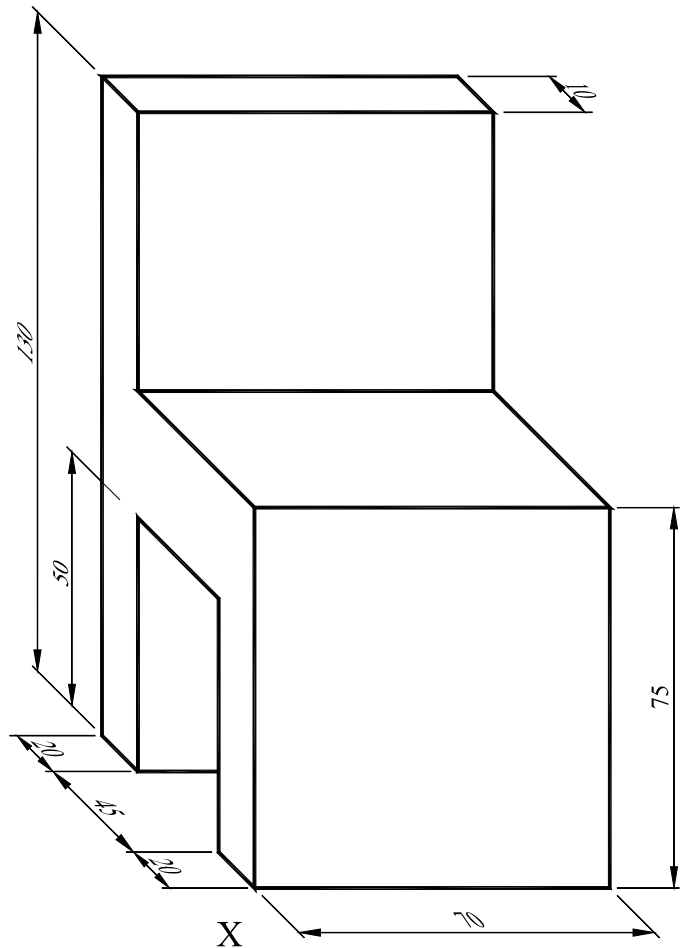
Note: all angles must be constructed using the compass. Start by drawing line SC 90° .



14 marks

4. The pictorial view of a kitchen chair is shown. Using the given start lines, draw an **isometric projection** of the chair, putting X as the lowest corner. Note: The given drawing is not drawn to scale.

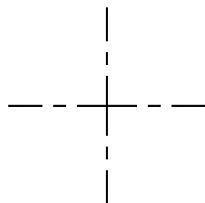
18 marks



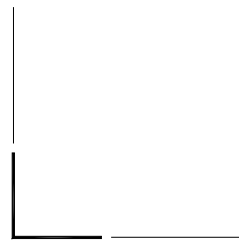
5. (a) Construct a regular **octagon** with all corners touching the inside of a circle of 80mm diameter. Use the given centre lines on the starter sheet to draw the circle. 6 marks
- (b) Construct a regular **octagon** in a square of 80mm side. Use the set-squares and the given start lines to draw the square. 10 marks

10 marks

Total: 16 marks



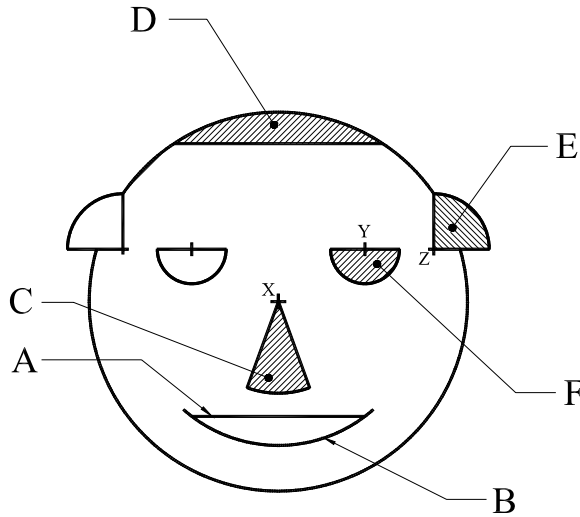
Question No 5 (a)



Question No 5 (b)

6. The drawing below shows a 'Sports Club Mascot' which consists of six parts. Give the proper name of each of the following parts: line A, the curved line B, and the shaded areas C, D, E and F. Use the table provided on the starter sheet to print down your answers. Note that X, Y and Z are centres of circles.

14 marks



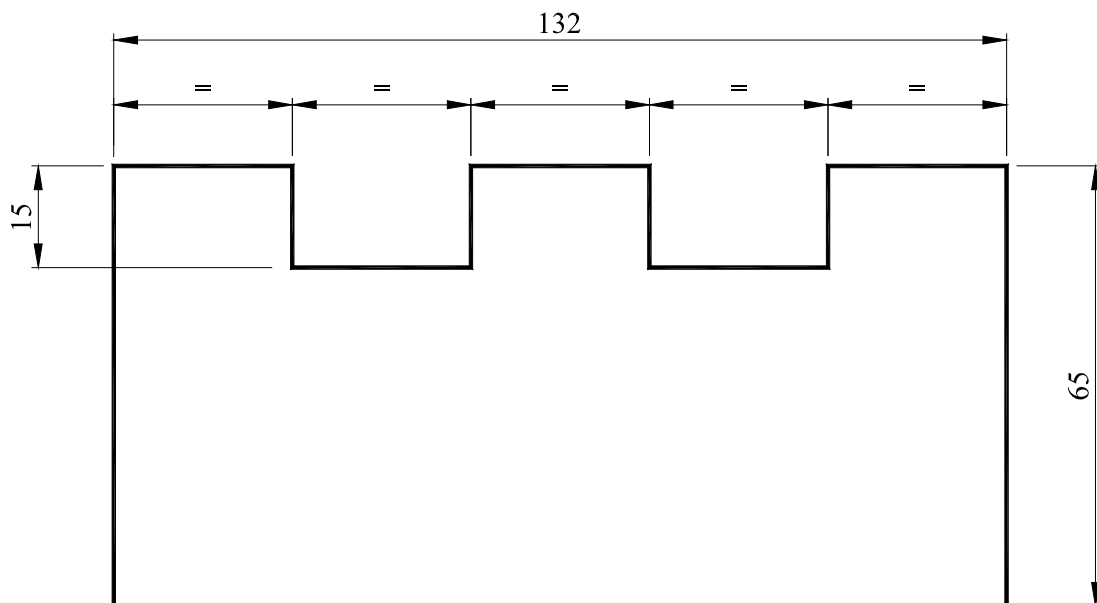
PART NAME	
A	
B	
C	
D	
E	
F	

TABLE

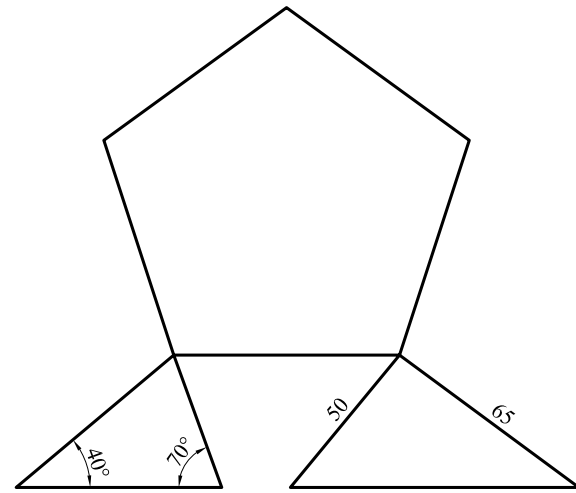
7. The drawing below shows one of the walls of a castle. The upper part of the wall is made up of five parts of equal width. Using the given start lines on the starter sheet, draw the wall to the given size. The five equal parts at the top should be divided by construction (using set-squares).

Note: The drawing below is not to scale.

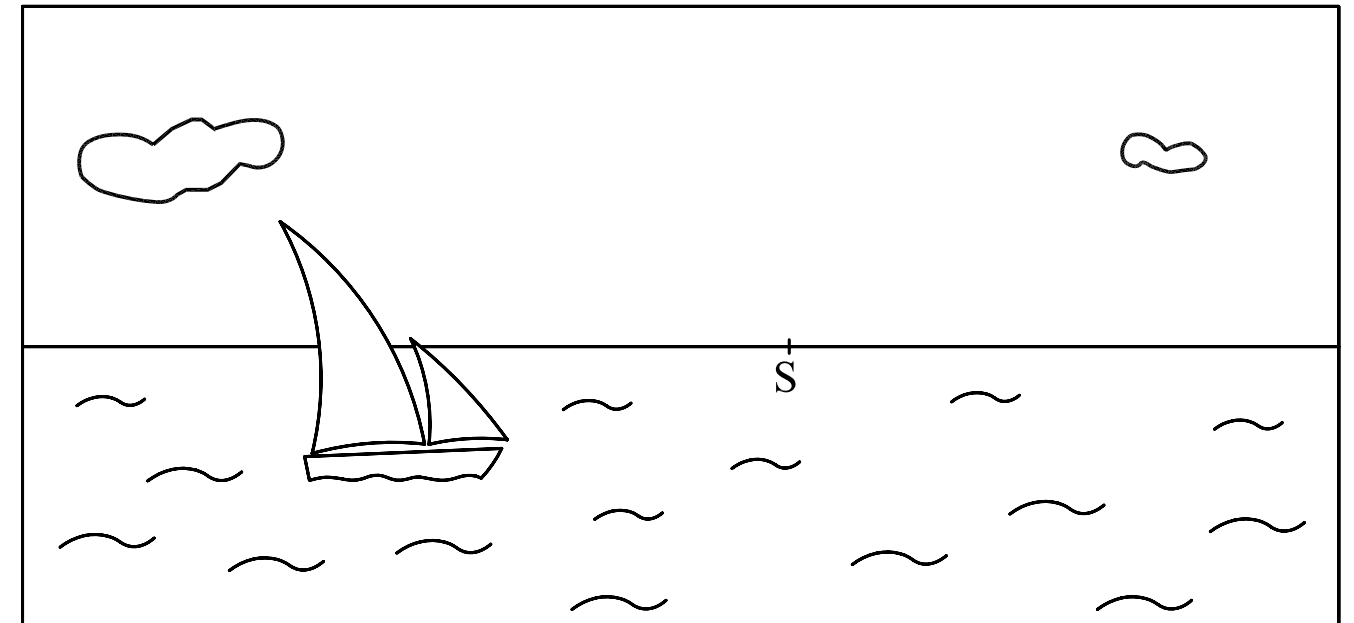
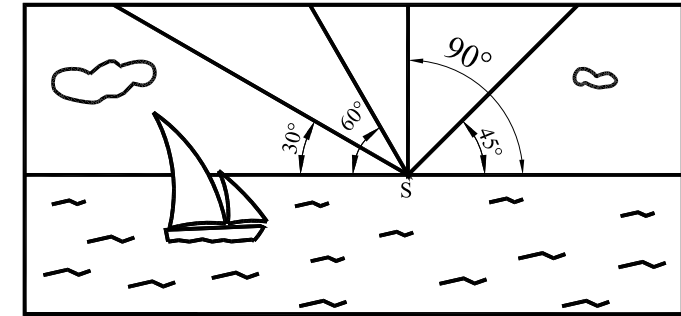
12 marks



QUESTION No. 2



QUESTION No. 3

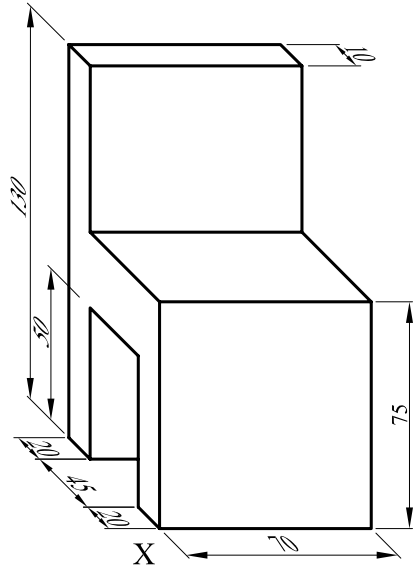


A ————— B C ————— D

Question 1.

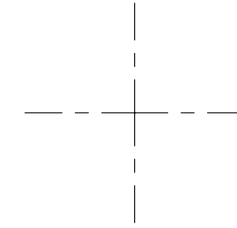
Sheet 1 of 3

QUESTION No. 4

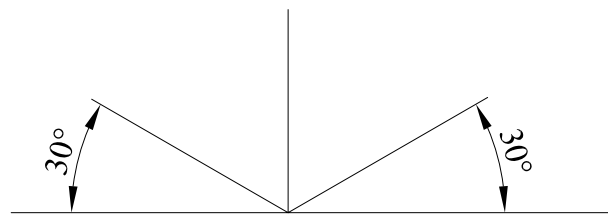


QUESTION No. 5

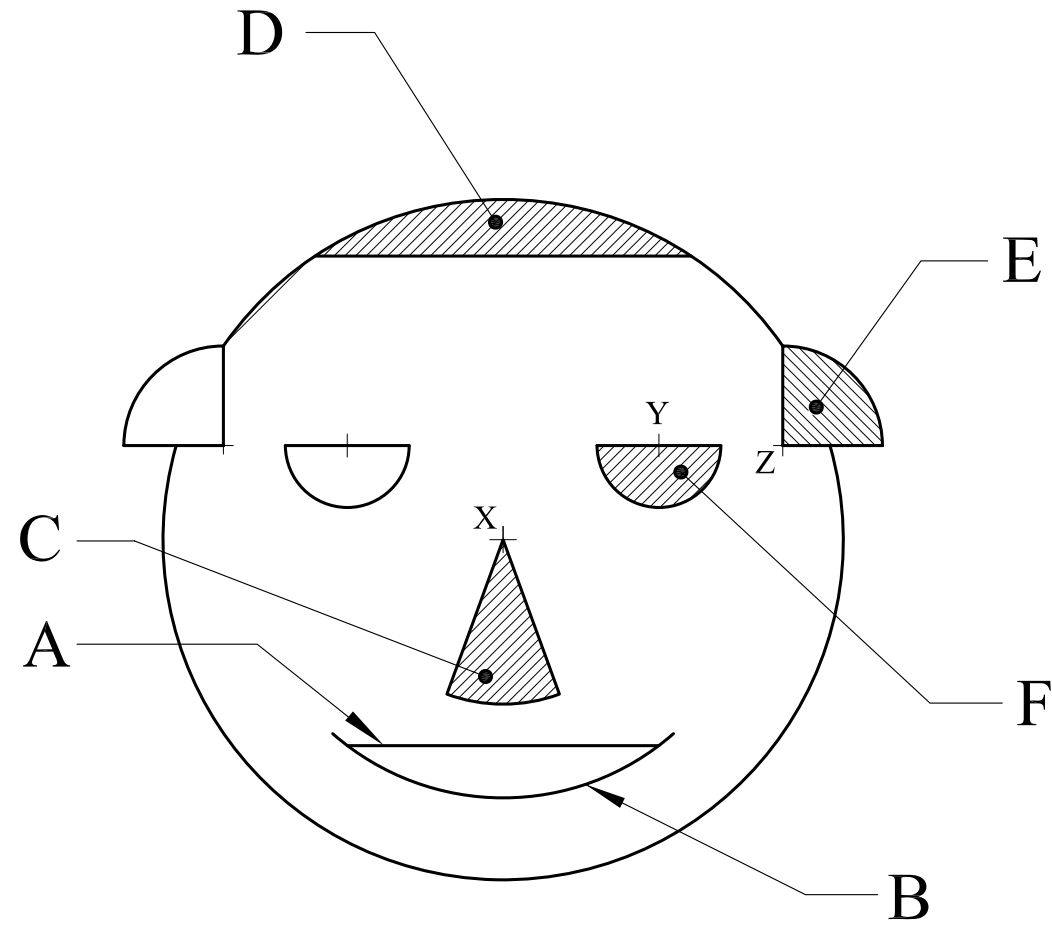
No. 5 (a)



No. 5 (b)



QUESTION No. 6



	PART NAME
A	
B	
C	
D	
E	
F	

TABLE

QUESTION No. 7

