

JUNIOR LYCEUM ANNUAL EXAMINATIONS 2006

Educational Assessment Unit – Education Division

FORM 4 (2nd year) TECHNICAL DESIGN Time 2 hours

Instructions

- Write your name and class on all sheets.
- Attempt ALL questions.
- All answers are to be drawn accurately, with instruments, unless otherwise stated.
- All construction lines **MUST** be left on each solution to show the method employed.
- Drawing aids may be used.

Information

- All dimensions are in millimetres.
- Estimate any missing dimensions not given.
- Marks will be awarded for accuracy, clarity and appropriateness of construction.

NAME _____

CLASS _____

Question	1	2	3	4	5
Max. mark	35	15	18	16	16
Mark					

1. Figure 1 below shows an elevation and plan of a **RETAINING BRACKET**.

- (a) Draw full size in **third angle projection** the following views:
- (i) a sectional front elevation on plane A-A passing through the centre of web. 18 marks
 - (ii) an end elevation in direction of arrow X. 12 marks
- (b) Add the following to your drawing:
- (i) the appropriate symbol to indicate the projection angle. 5 marks
 - (ii) the scale. 5 marks

Total: 35 marks

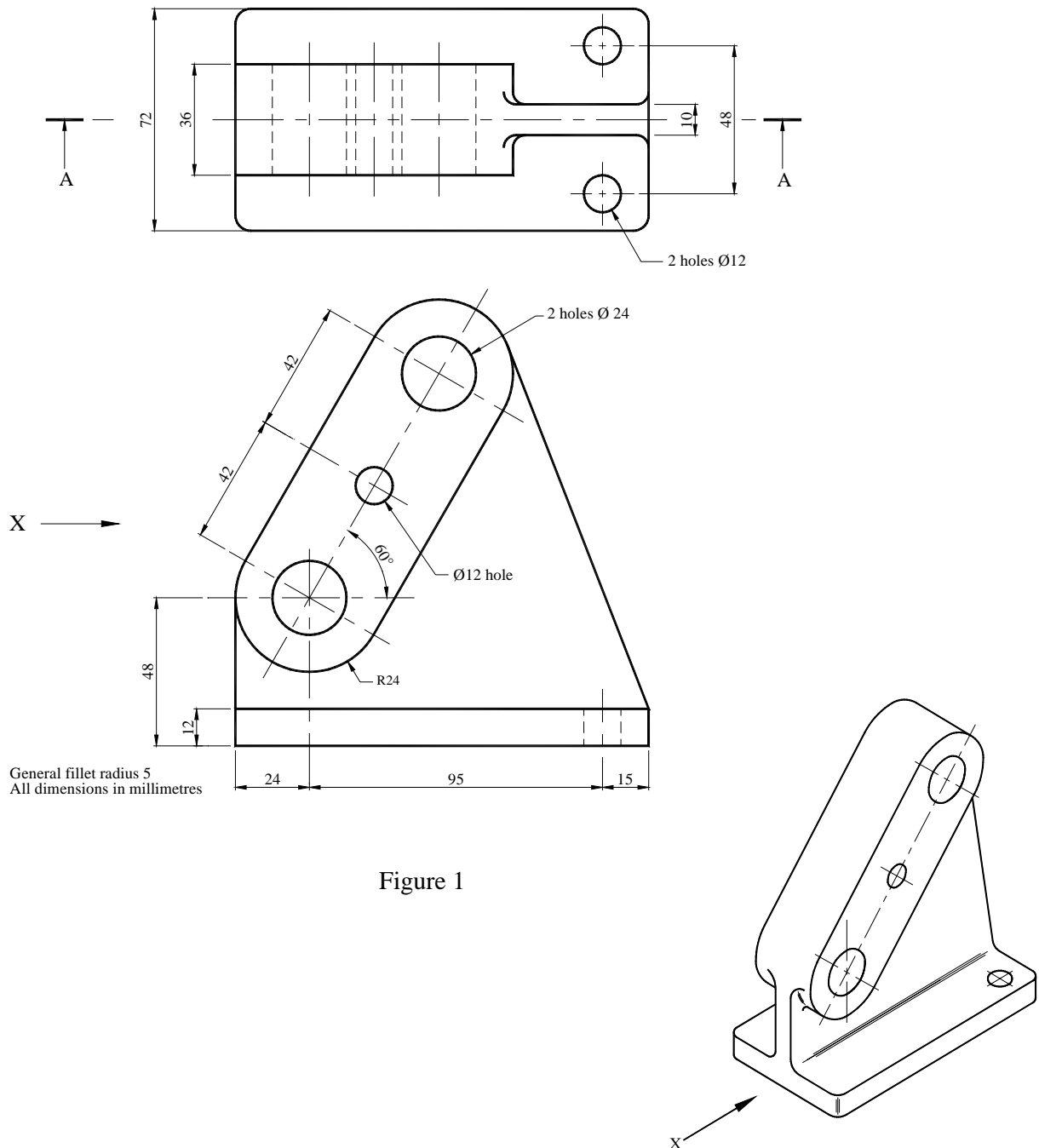


Figure 1

2. A front elevation and a plan view of a small container are given in figure 2.

- Draw a **half surface development** of the container assuming the joint line at **Y – Y**.
- All projection lines must be shown.

15 marks

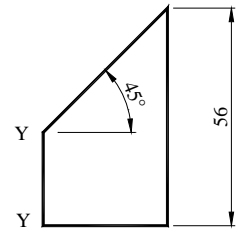
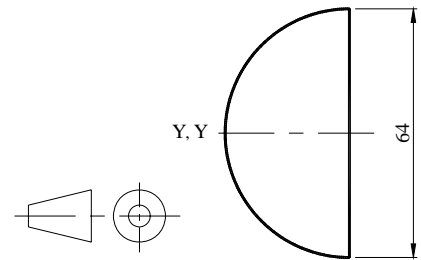


Fig. 2



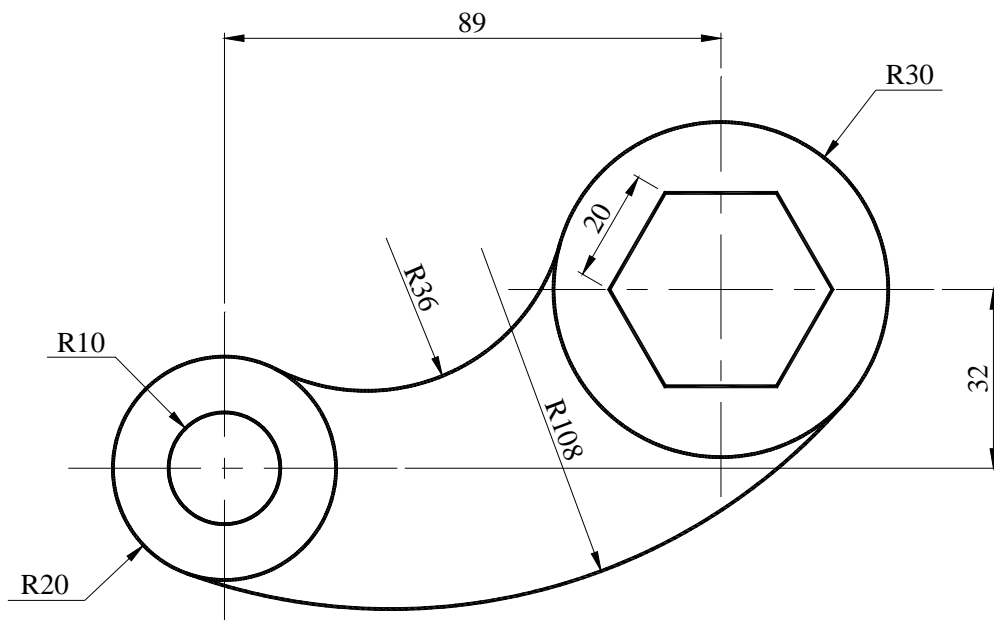
3. Draw the profile shown below, using geometrical methods to determine the centres of arcs.

Indicate the exact points of tangency between blending arcs by drawing short lines across the profile at these points.

Construction lines for the centres of arcs and points of tangency must be clearly shown.

A uniform thickness of outline is required throughout.

18 marks



4. The figure shows two views in first angle projection of an electrical contact. Draw a **30° / 60° Planometric view** of the component positioning corner **A** to appear in the foreground.

16 marks

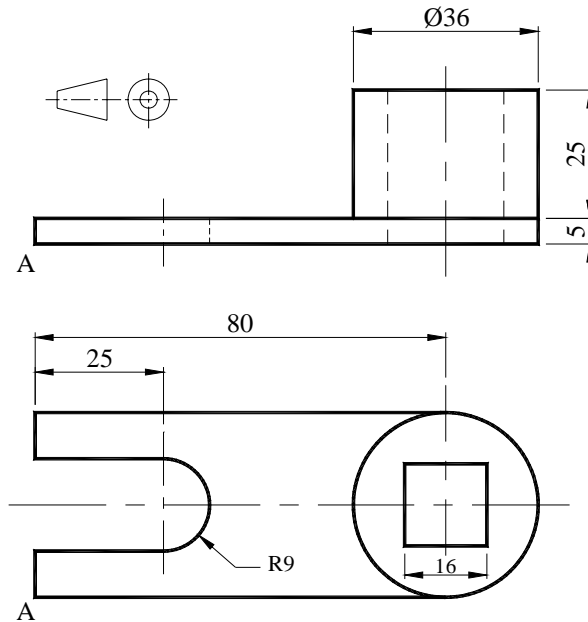


Fig. 4

5. Figure 5 shows a line diagram of a simple mechanism where crank **OA** rotates in a clockwise direction about **O**. The connecting rod **AB** slides through a pivot (trunnion) which is free to rotate about centre **C**. Plot, full size, the locus of point **B** for one complete revolution of the crank **OA**.

16 marks

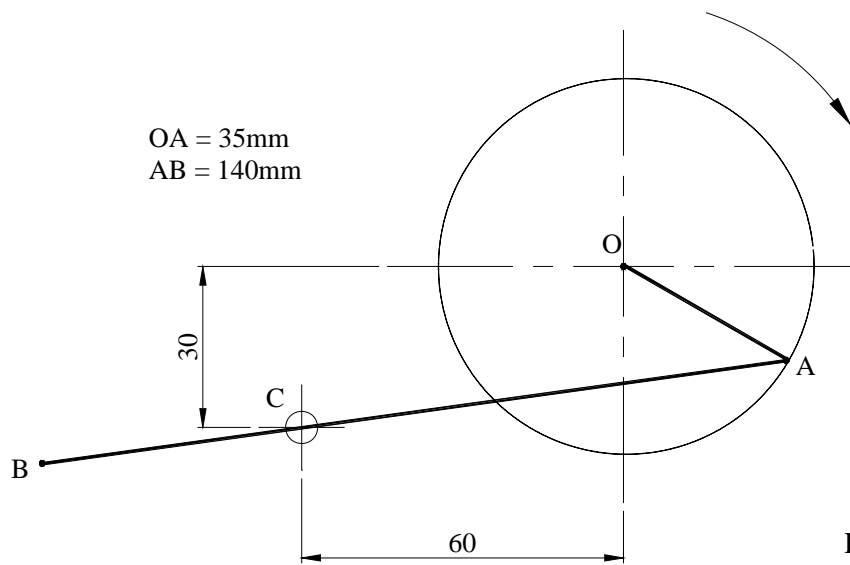
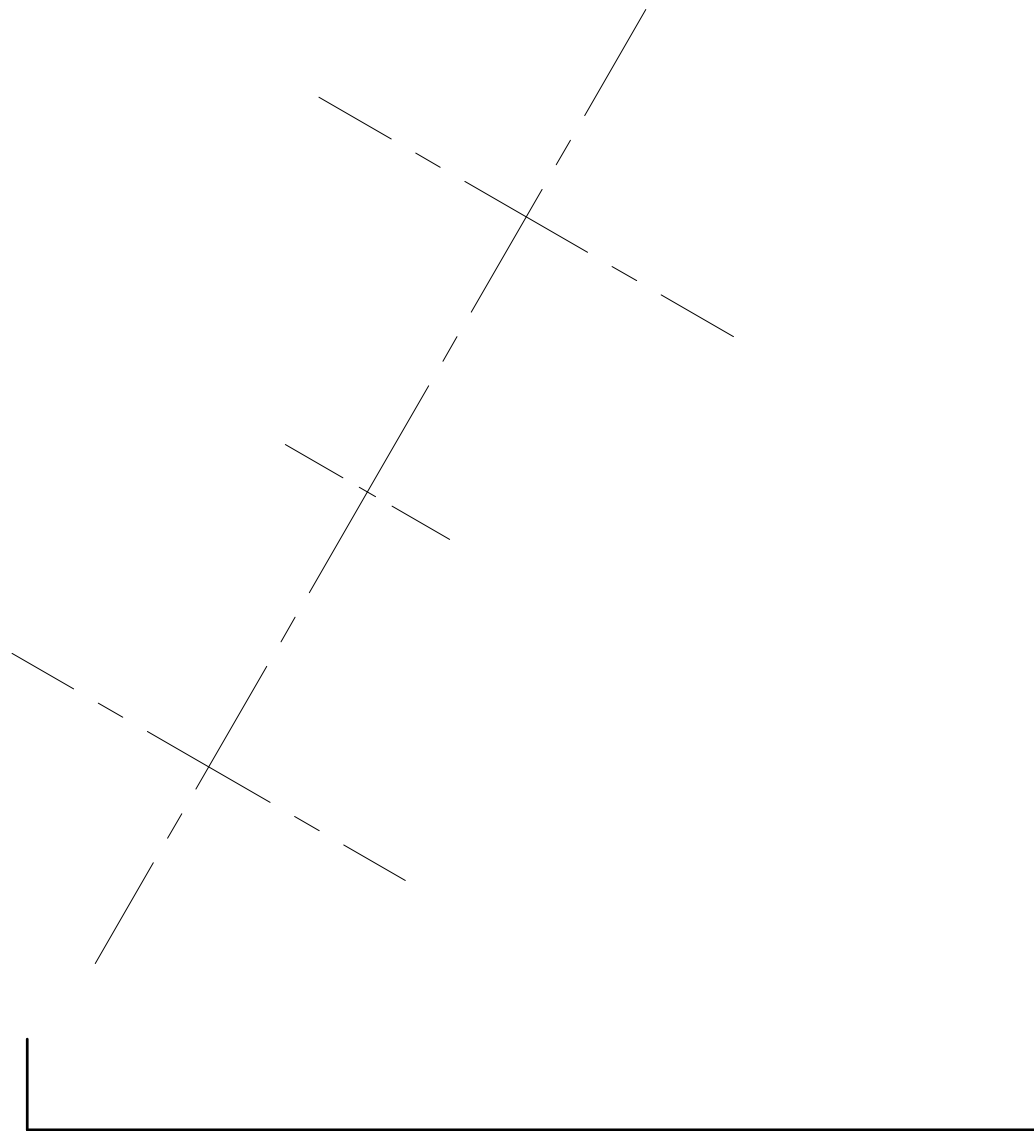
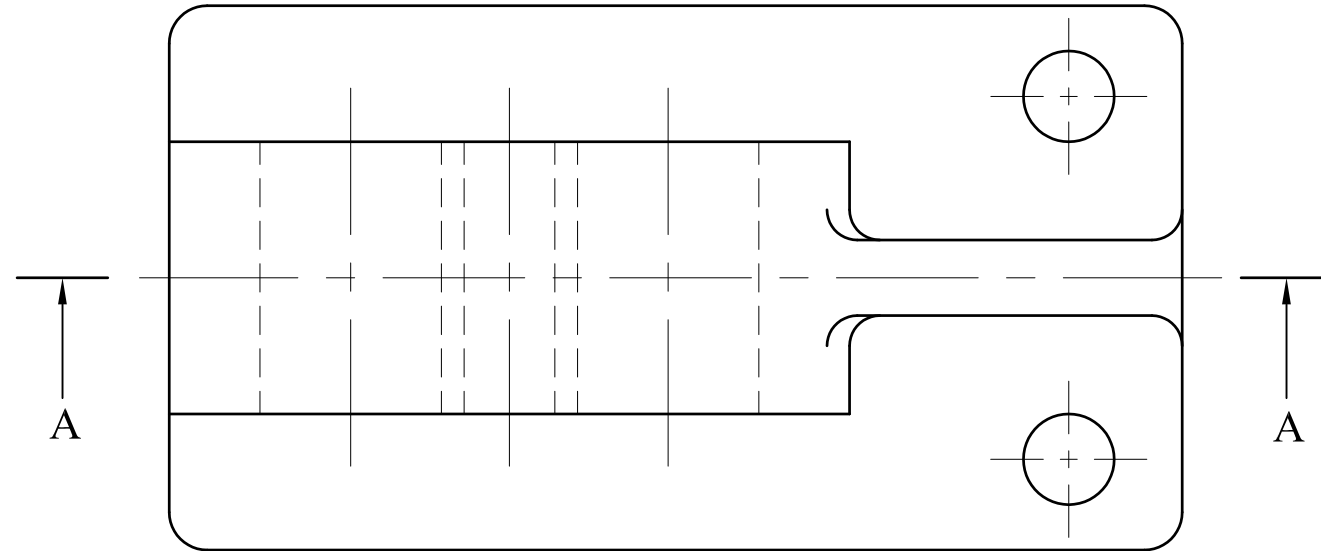


Fig. 5

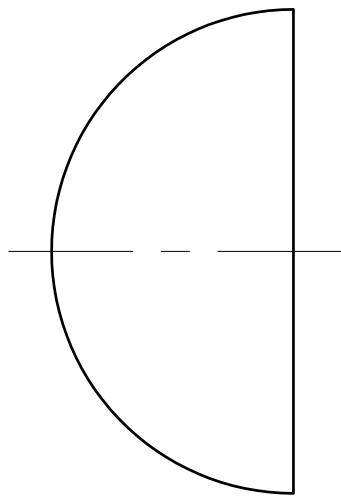
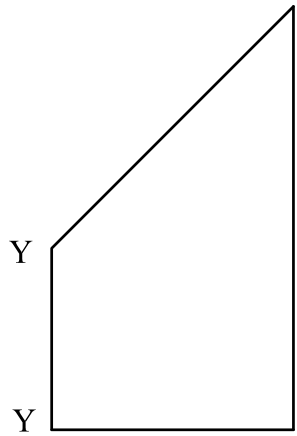
QUESTION No.1



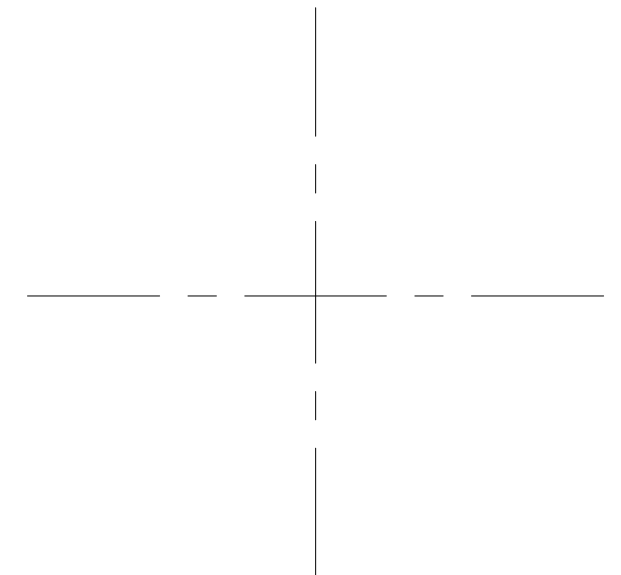
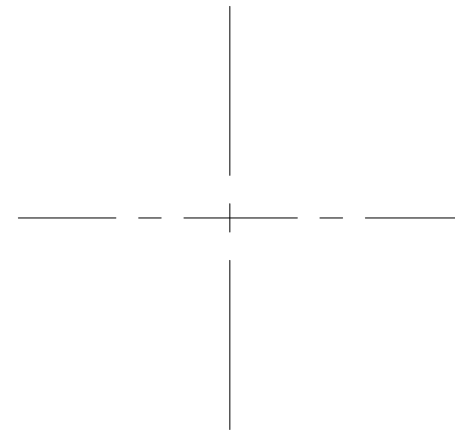
ALL FILLET RADII 5mm

Sheet 1 of 3

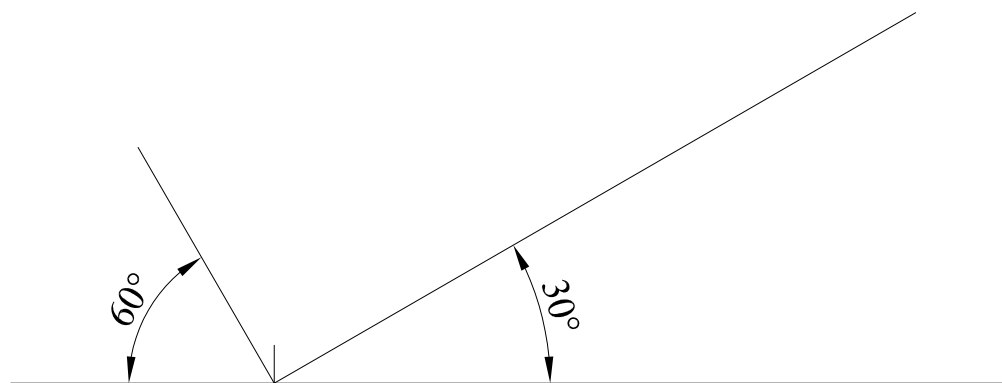
QUESTION No.2



QUESTION No.3



QUESTION No.4



QUESTION No.5

