

# JUNIOR LYCEUM ANNUAL EXAMINATIONS 2008

Education Assessment Unit - Education Division

**FORM 1**

**GRAPHICAL COMMUNICATION**

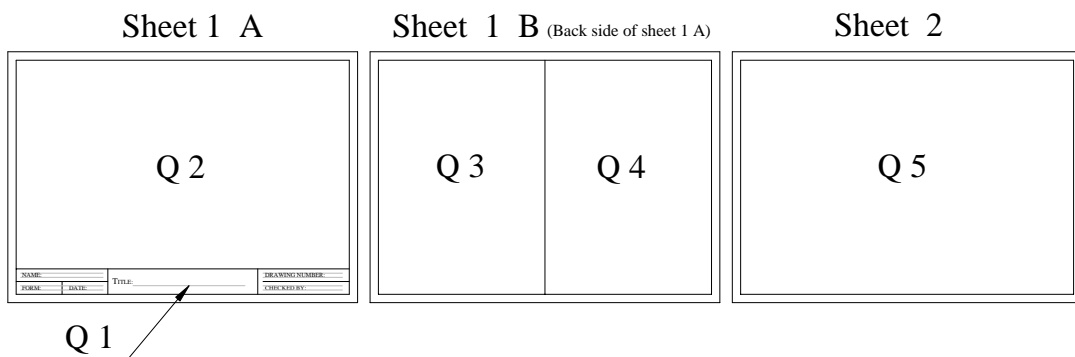
**TIME: 2 hours**

**NAME:** \_\_\_\_\_

**CLASS:** \_\_\_\_\_

**Please Note:**

You are required to use both sides of the drawing paper, as shown below.



- Write your name and class on all sheets.
- Attempt **ALL** questions.
- Answer **ALL** question accurately, using instruments, unless otherwise stated.
- All construction lines **MUST** be shown.
- Drawing aids may be used.
- All dimensions are in millimetres.
- Estimate any missing dimension.
- Marks will be awarded for accuracy, clarity and construction.

Question	1	2	3	4	5
Max. mark	<b>10</b>	<b>35</b>	<b>18</b>	<b>19</b>	<b>18</b>
Mark					

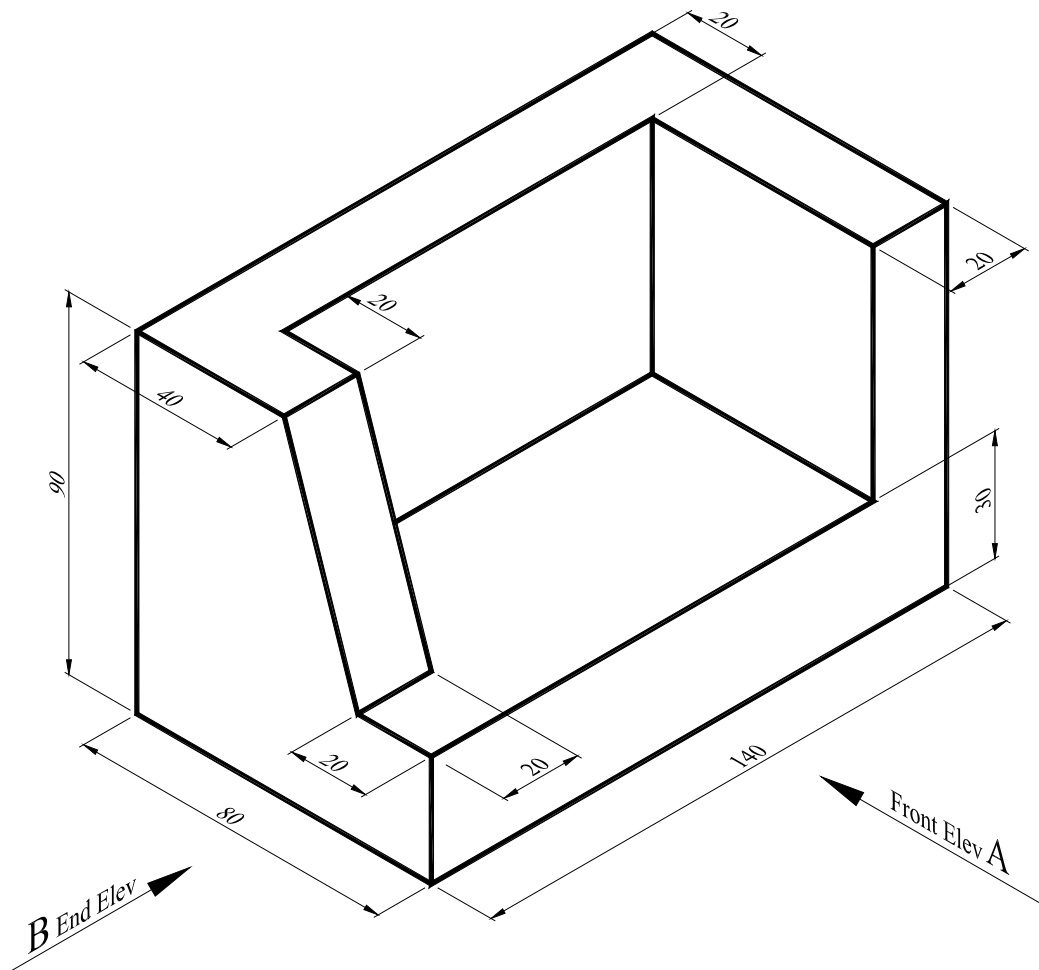
1. Draw a borderline and a title (name) block on one side of your drawing paper.  
 In the appropriate space, print in freehand simple block letters:
  - (a) Your surname and name.
  - (b) Your class.
  - (c) Date.
  - (d) Annual Examination.
  - (e) In the middle space of your title block, write down the name of the drawing in question 2: **'SHAPED BLOCK'**

**10 marks**

2. The figure below shows the drawing of a **SHAPED BLOCK**.  
 Draw full size:

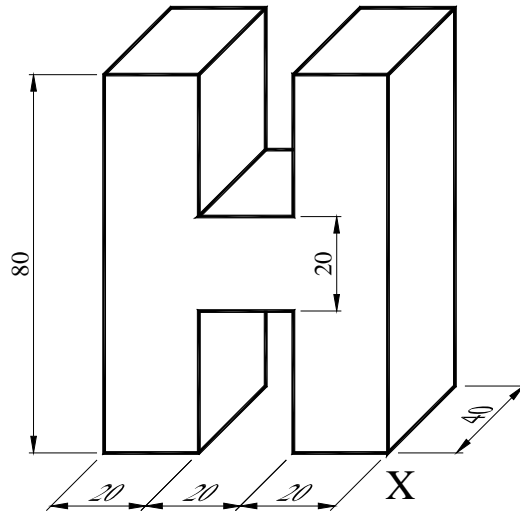
- (a) A front elevation from arrow **A**. (13 marks)
  - (b) An end elevation from arrow **B**. (12 marks)
  - (c) A plan. (10 marks)
- Hidden details are to be shown.

**Total 35 marks**



3. The figure below shows an oblique view of shaped wooden block.  
 Draw, full size, an **Isometric** view of the given block with corner 'X' to be the lowest point in your drawing.  
**Note:** The given drawing is not drawn to scale.

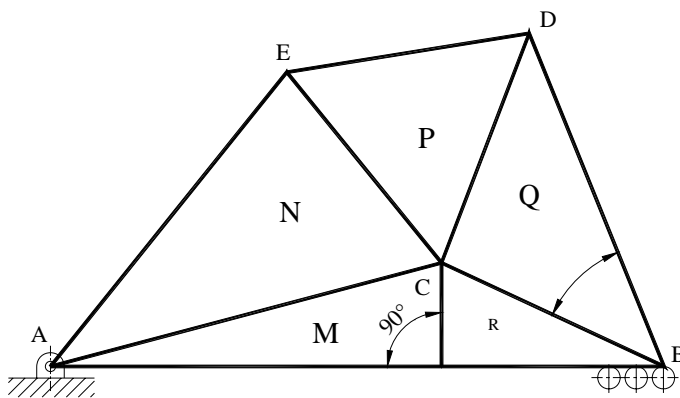
18 marks



4. The figure below shows a supporting structure.

- |     |  |          |
|-----|--|----------|
| (a) | copy, full size, the given figure                  | 10 marks |
| (b) | measure the length of line <b>AE</b>               | 2 marks  |
| (c) | using your protractor measure the angle <b>CBD</b> | 2 marks  |
| (d) | name triangles M and Q, by angles                  | 2 marks  |
| (e) | name triangles N and P, by sides.                  | 2 marks  |
|     | presentation and neatness                          | 1 mark   |

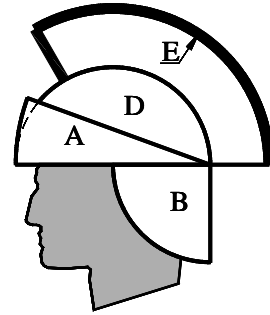
Total 19 marks



- AB = 135mm  
 AC = 89mm  
 BC = 54mm  
 BC = CD = 54mm      BD = 79mm  
 CD = ED = CE = 54mm

NOT TO SCALE

5. The figure on the right hand side, shows a 'Roman Soldier's Helmet' which consist of four parts **A**, **B**, **D** and **E**.



**For the Helmet only**, and to the dimensions given below, draw full size:

- (a) the given **Helmet**, as shown below 10 marks
  - (b) name the areas **A**, **B** and **D** 6 marks
  - (c) give the proper name for the curved line **E** 2 marks
- Note that  $C_1$  and  $C_2$  are both centres of circles.

**Total 18 marks**

