

JUNIOR LYCEUM ANNUAL EXAMINATIONS 2008
Educational Assessment Unit – Education Division

FORM 2 GRAPHICAL COMMUNICATION (Tech. Des.) Time : 2 hours

NAME : _____

CLASS : _____

Instructions

- Write your name and class on all sheets.
- Attempt **ALL** questions.
- Answer all questions accurately, using instruments, unless otherwise stated.
- All construction lines **MUST** be left on each solution to show the method used.
- Drawing aids may be used.

Information

- All dimensions are in millimetres.
- Estimate any missing dimension.
- Marks will be awarded for accuracy, clarity and construction.

Question	1	2	3	4	5
Max. mark	34	16	12	18	20
Mark					

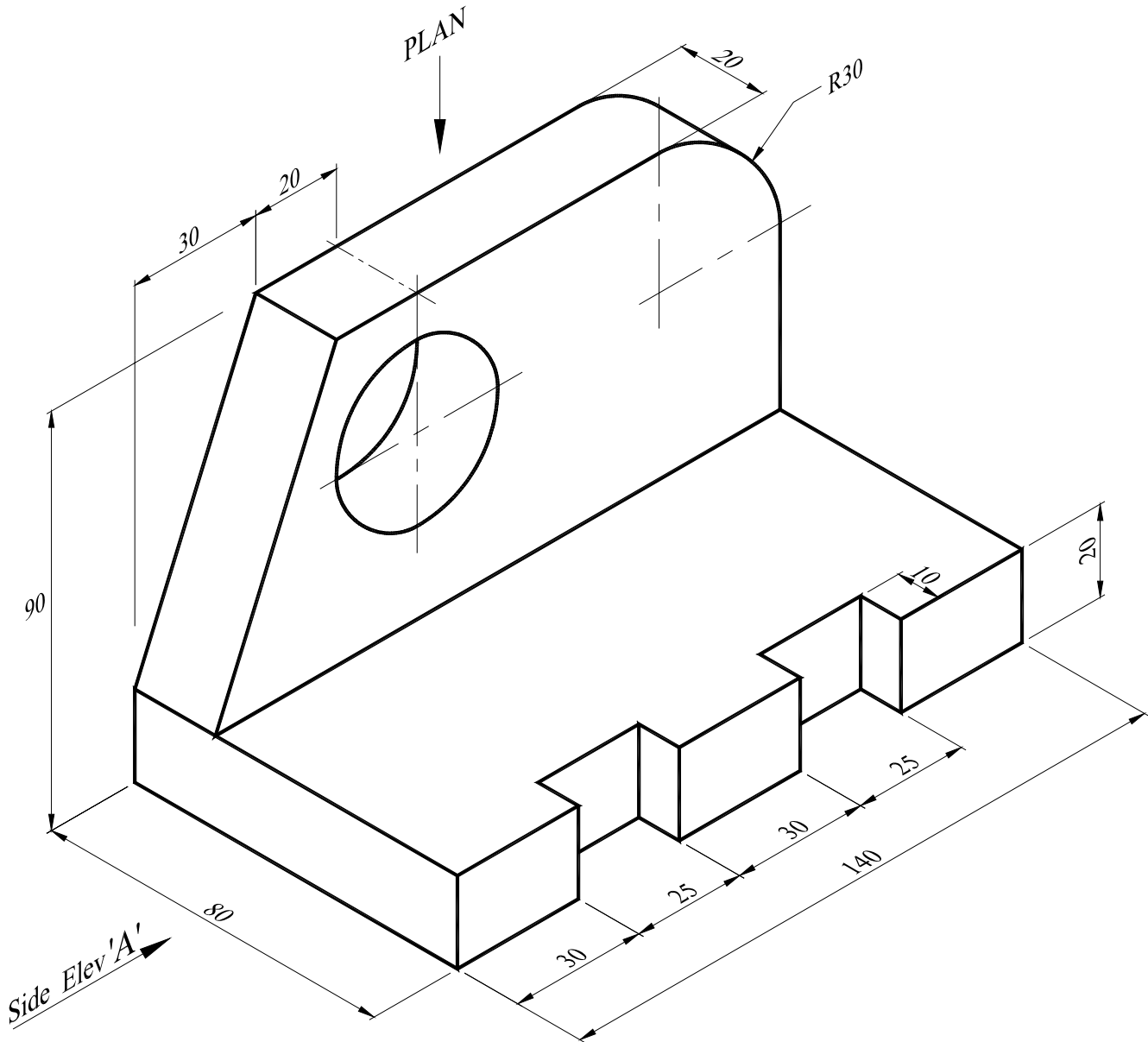
1. The figure below shows a pictorial view of an 'Angle Bracket'.
 Draw full size, in first angle orthographic projection:

- (a) an end elevation as seen from arrow 'A' 12 marks
- (b) a complete plan. 14 marks

Include the following in your drawing:

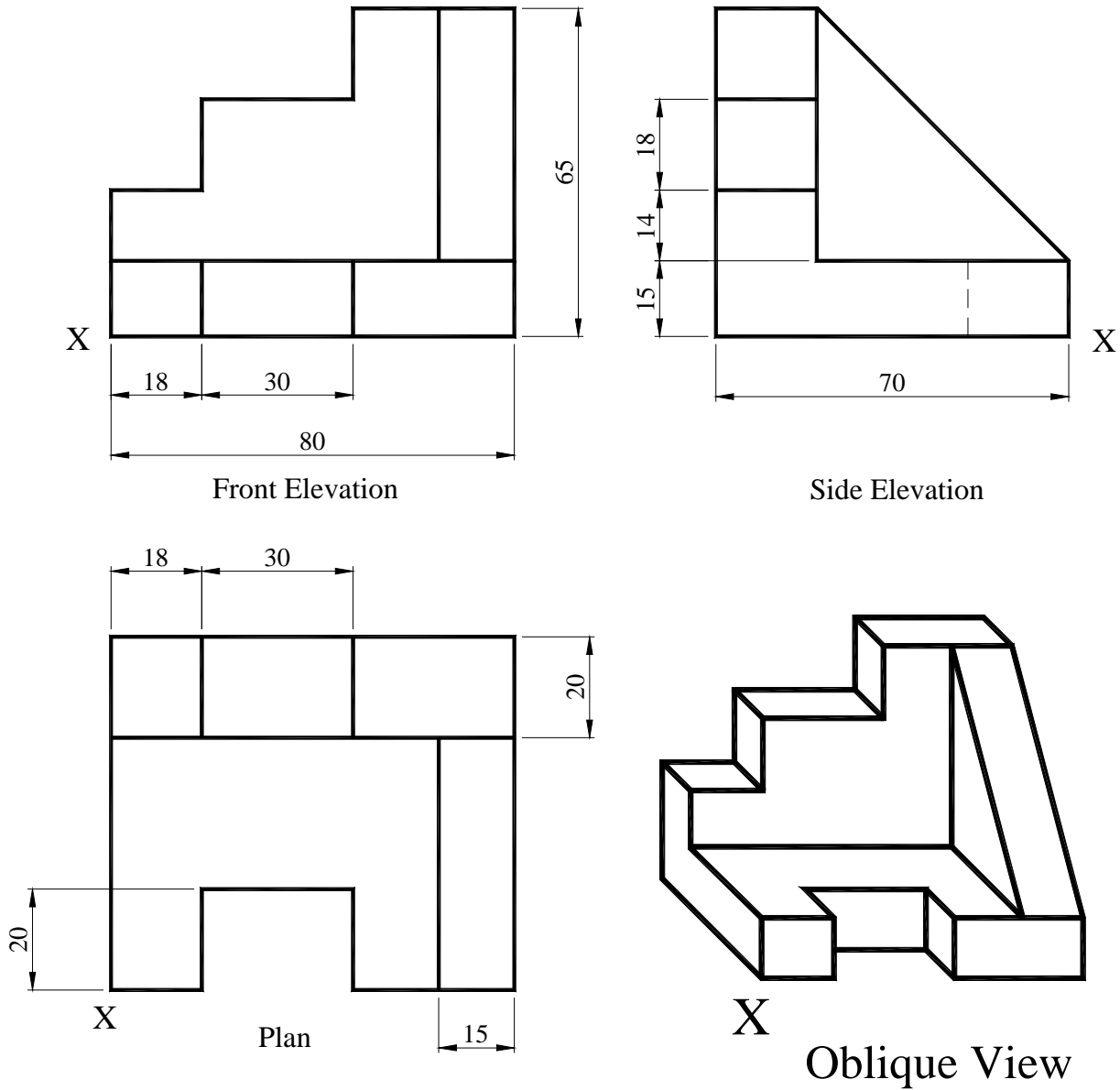
- (i) the symbol of projection used 1 mark
- (ii) in the Name Block provided, print in all the missing items, Name, Date, etc. 7 marks

Total 34 marks



2. The figure below shows three views in first angle orthographic projection and an oblique view of a shaped block.
 Draw, to the dimensions given, an isometric view of the component, making 'X' the lowest corner in your drawing.

16 marks

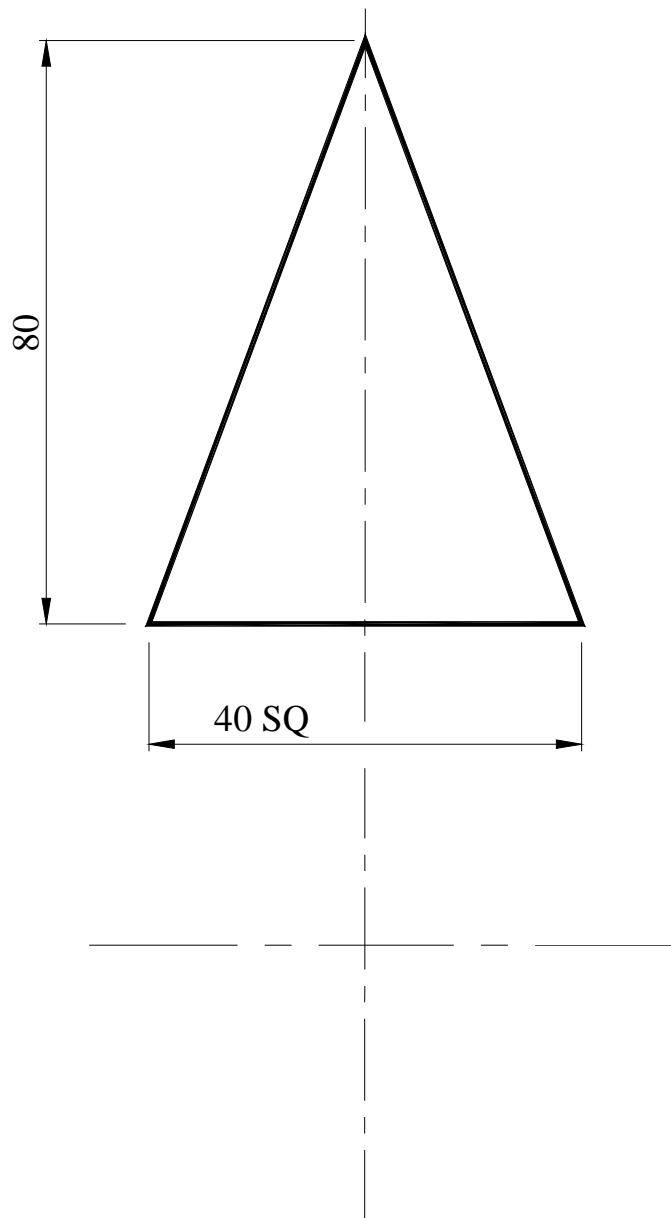


3. Draw a 'Safe Condition Sign' indicating that 'First Aid' is available.
Draw your sign within a square of 320mm perimeter.
Colour your sign according to standard specifications.

12 marks

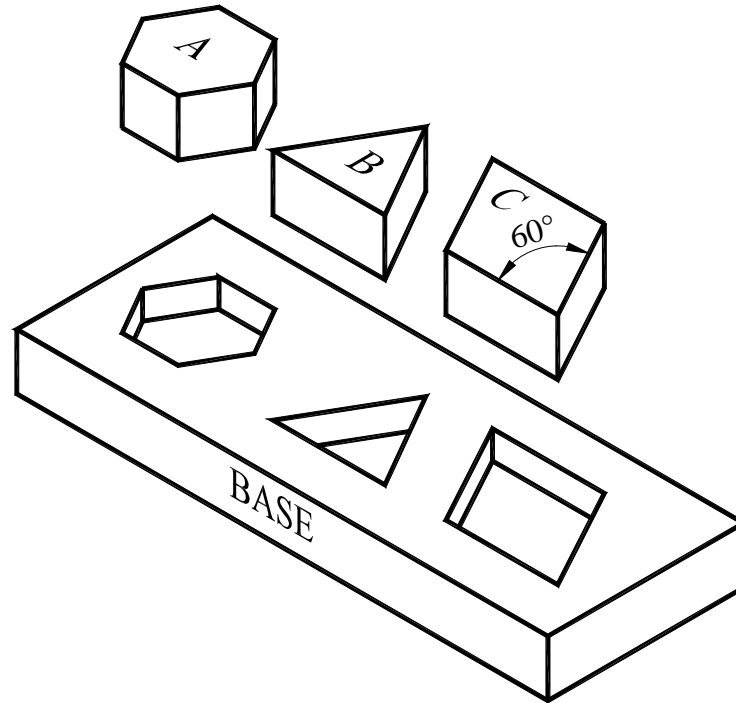
4. The drawing below shows the front elevation of a square pyramid.
Using a scale of full size draw:
(a) a complete plan
(b) a one piece development of the whole pyramid.

18 marks

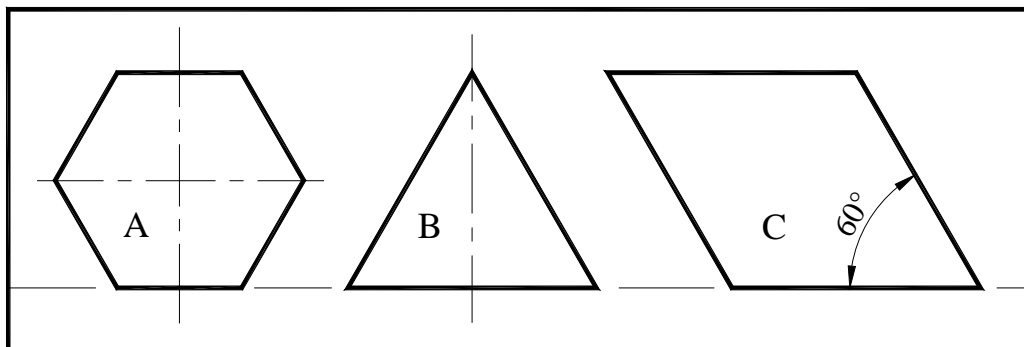


5. The isometric drawing below shows a children's educational toy where the three geometrical solids A, B and C, fit into the base shown.
 A top view of the whole assembly, not to scale, is also given.
 An incomplete plan of the base with only one side of each solid is given on the drawing sheet No. 4 attached:
- using the given sides, construct geometrically, full size, the Polygon, the Triangle and the Quadrilateral
 - neatly print the proper **name** of **each** geometrical shape in the spaces provided on the drawing sheet.

20 marks



A, B and C, ARE ALL REGULAR FIGURES (EACH SOLID HAS EQUAL SIDES)

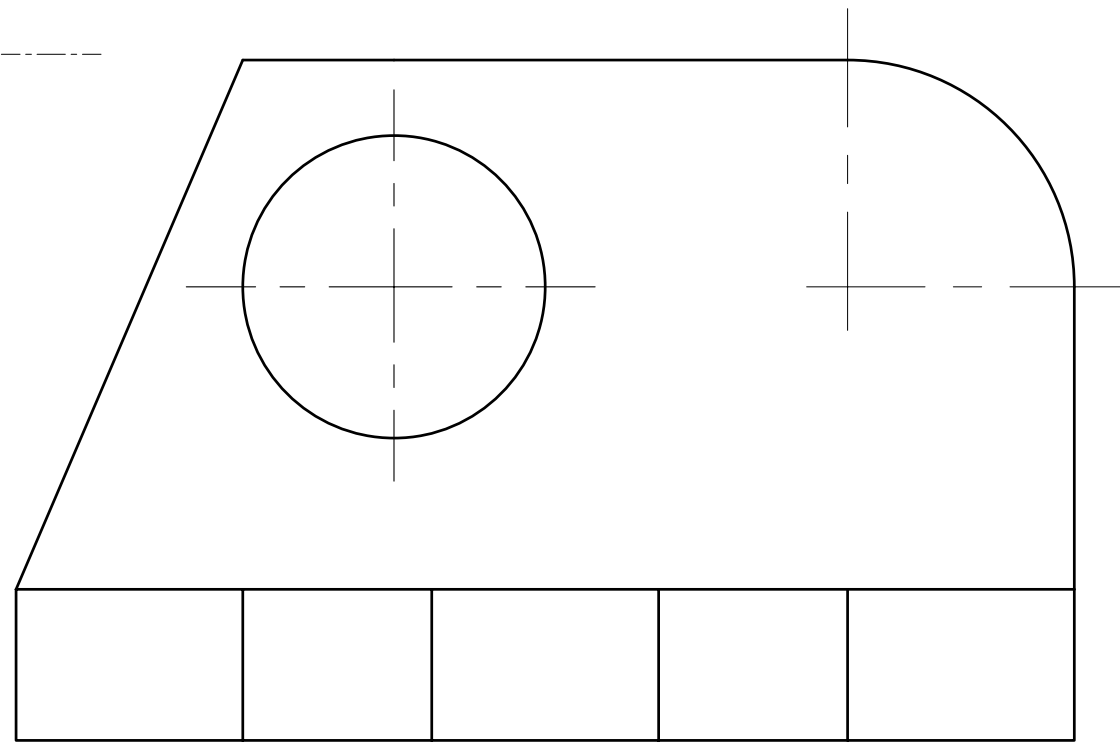


TOP VIEW (PLAN)

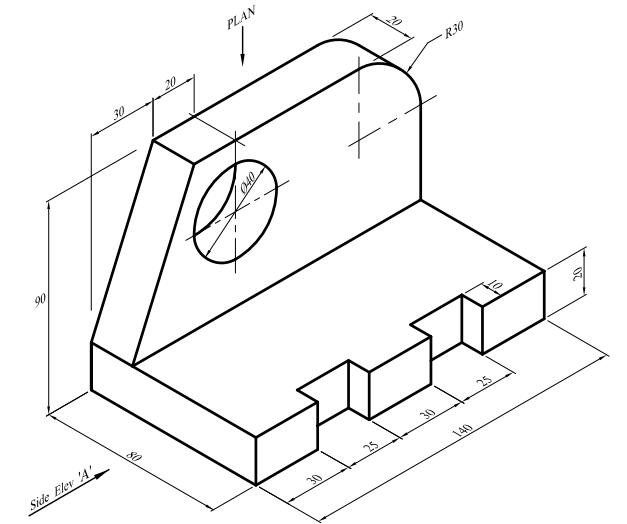
Question No.1

PROJECTION SYMBOL: -----

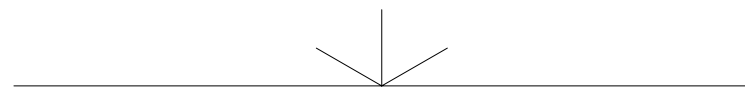
Scale 1 : 1



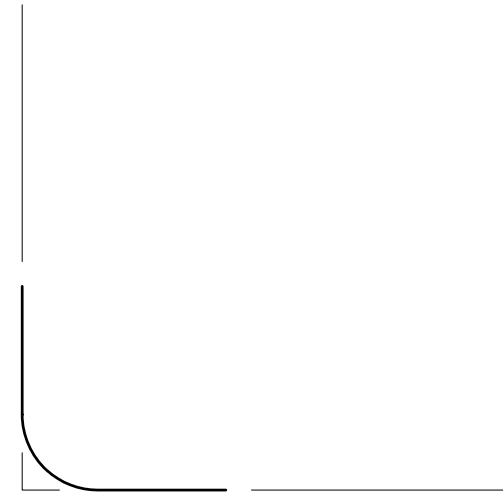
FRONT ELEVATION



Question No.2

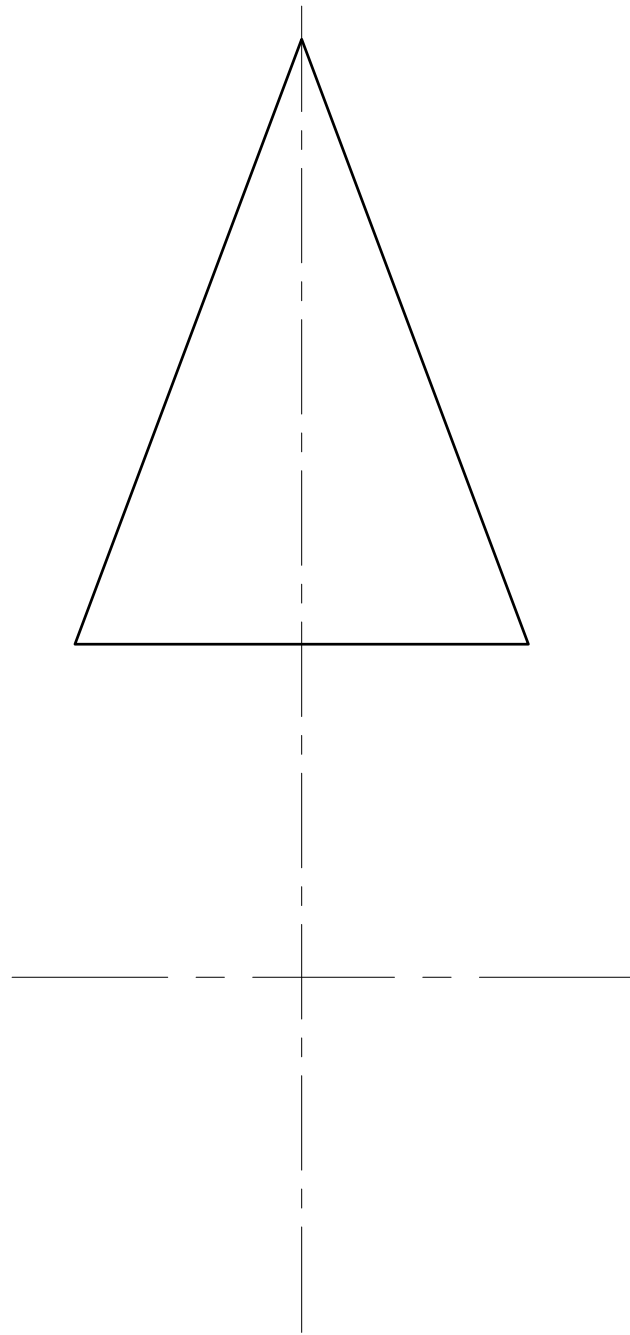


Question No.3

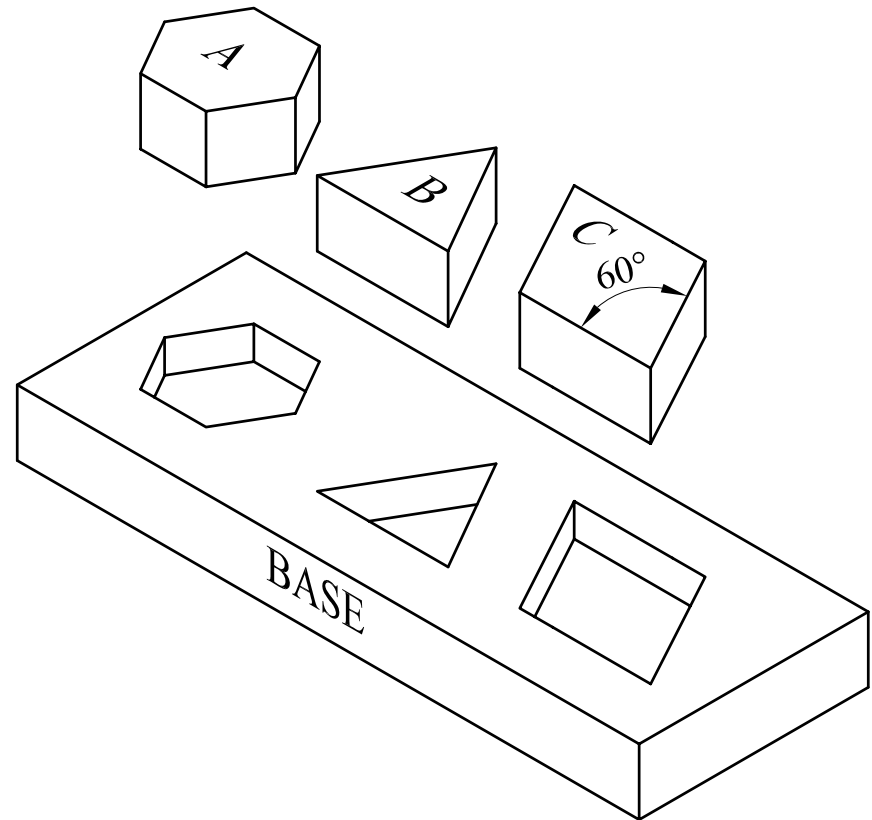


Note: Complete the required sign using this coner as starter.

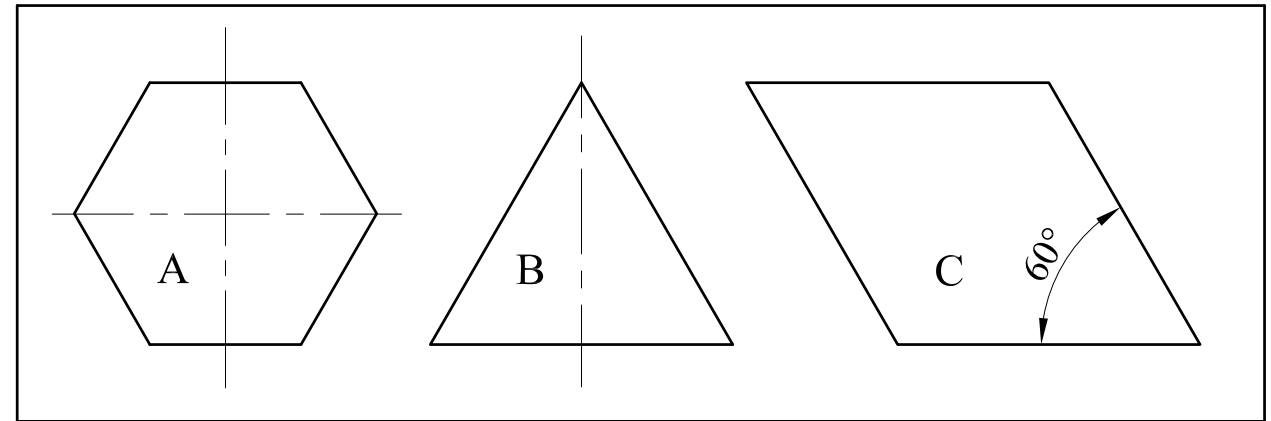
Question No.4



Question No.5

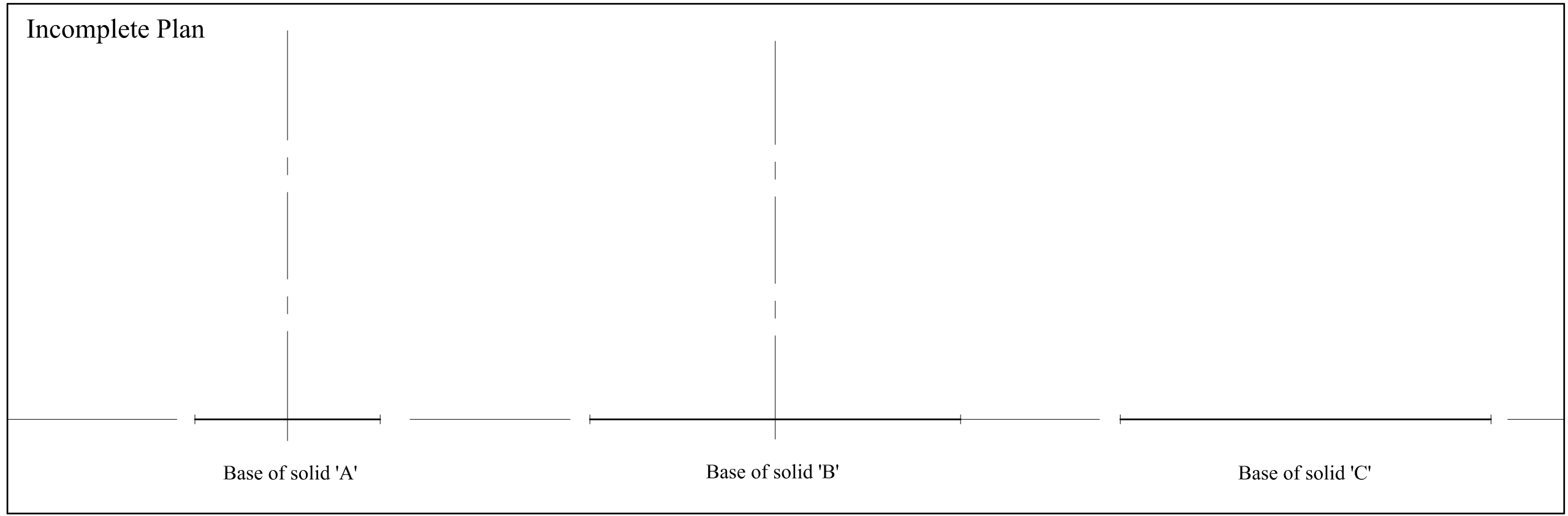


A, B and C, ARE ALL REGULAR FIGURES (EACH SOLID HAS EQUAL SIDES)



TOP VIEW (PLAN)

Incomplete Plan



Base of solid 'A'

Base of solid 'B'

Base of solid 'C'

A =

B =

C =

Sheet 4 of 4