

# JUNIOR LYCEUM ANNUAL EXAMINATIONS 2009

Directorate for Quality and Standards in Education

Educational Assessment Unit

**FORM 2**

**GRAPHICAL COMMUNICATION**

**Time: 2 hours**

**NAME :** \_\_\_\_\_

**CLASS :** \_\_\_\_\_

## Instructions

- Write your name and class on all sheets.
- Attempt **ALL** questions.
- Answer all questions accurately, using instruments, unless otherwise stated.
- All construction lines **MUST** be left on each solution to show the method used.
- Drawing aids may be used.

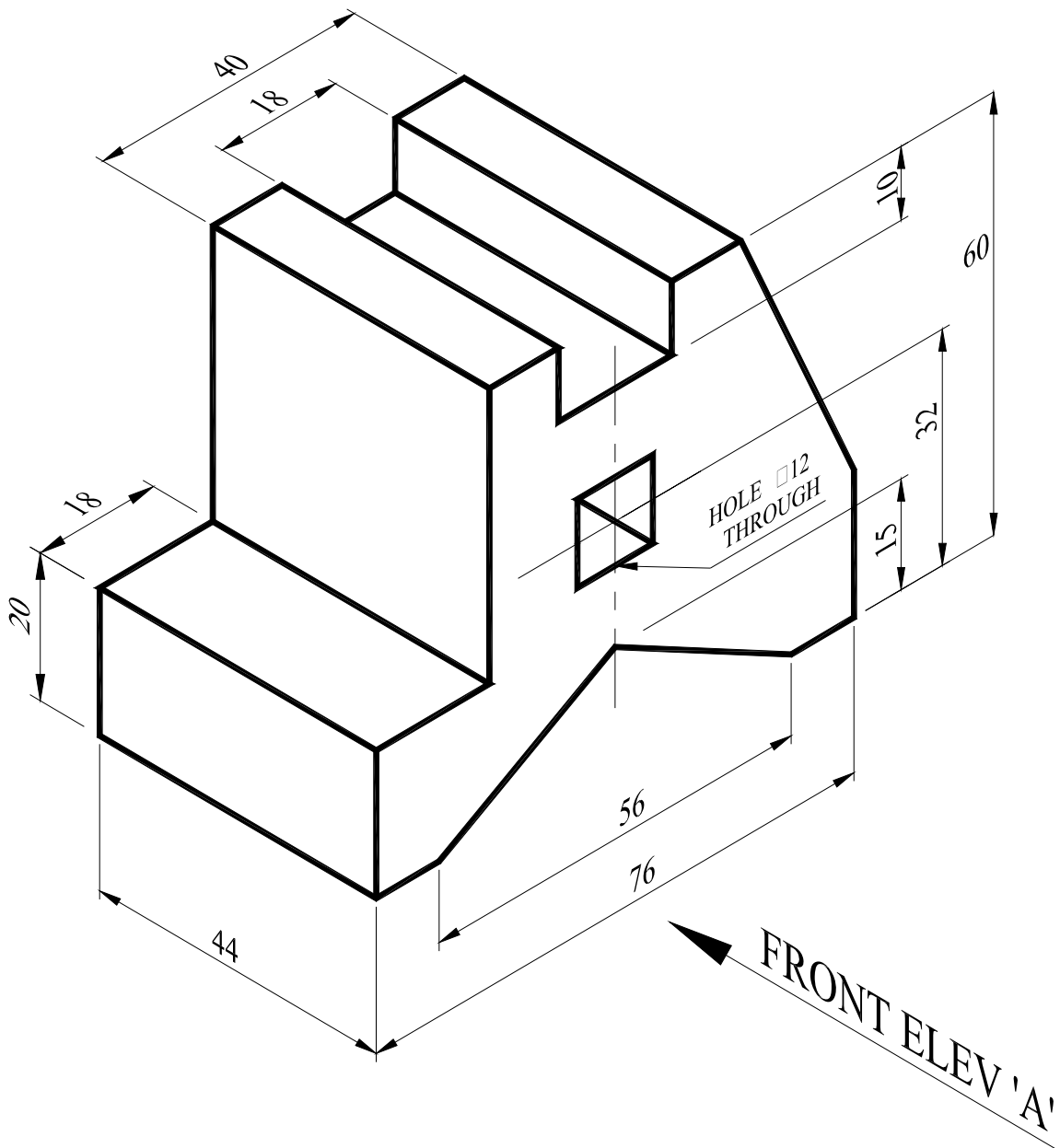
## Information

- All dimensions are in millimetres.
- Estimate any missing dimension.
- Marks will be awarded for accuracy, clarity and construction.

|           |           |           |           |           |           |
|-----------|-----------|-----------|-----------|-----------|-----------|
| Question  | <b>1</b>  | <b>2</b>  | <b>3</b>  | <b>4</b>  | <b>5</b>  |
| Max. mark | <b>36</b> | <b>14</b> | <b>16</b> | <b>16</b> | <b>18</b> |
| Mark      |           |           |           |           |           |

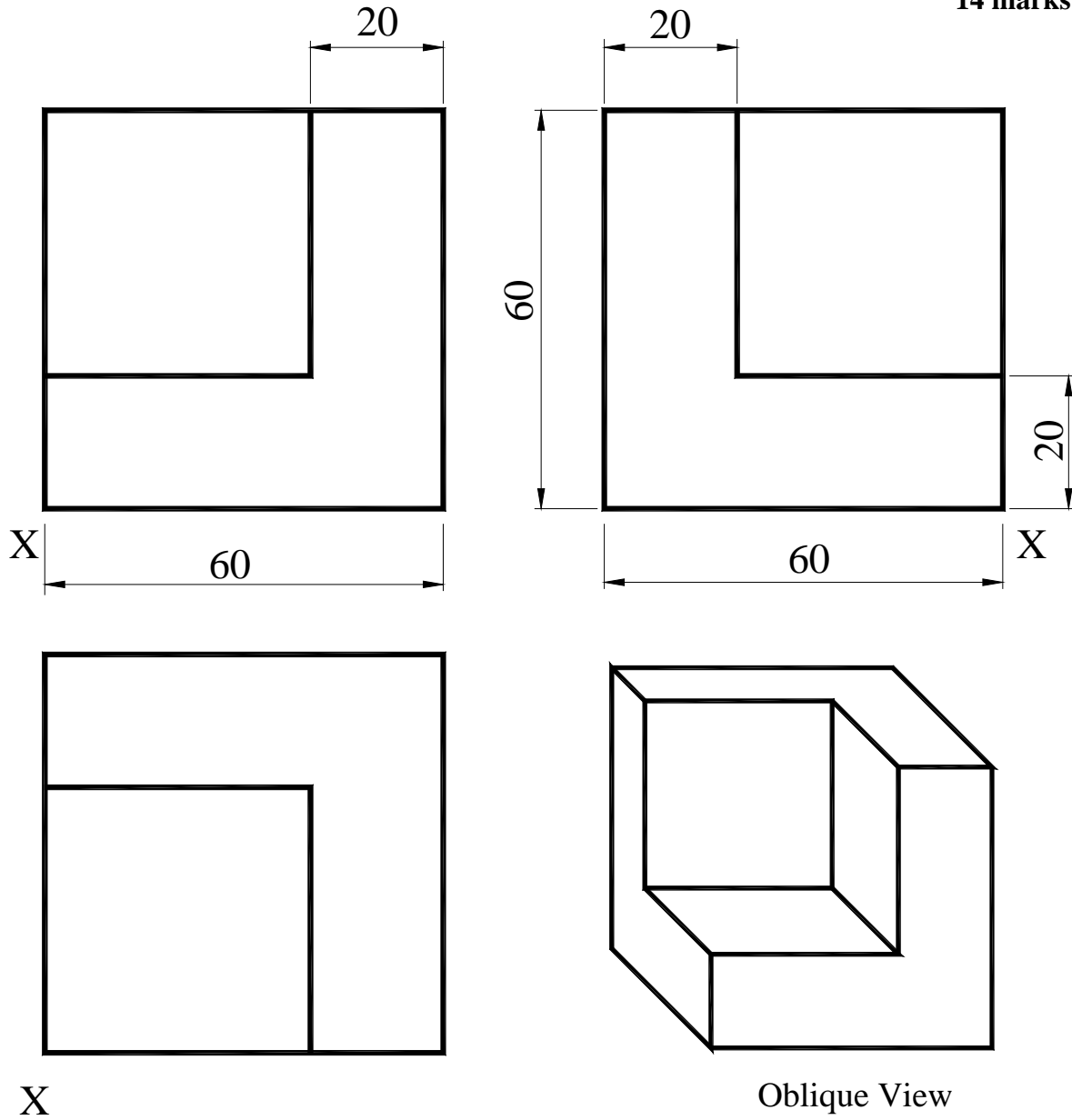
1. The figure below shows a pictorial view of a 'SETTING BLOCK'.  
 Draw full size, in first angle orthographic projection:
- (a) a front elevation as seen from arrow 'A' 14 marks
  - (b) a complete plan. (Insert all hidden details) 13 marks
- Include the following in your drawing:
- (i) the symbol of projection used 2 mark
  - (ii) in the Name Block provided, print in all the missing items, Name, Date, Title, etc. 7 marks

**Total 36 marks**



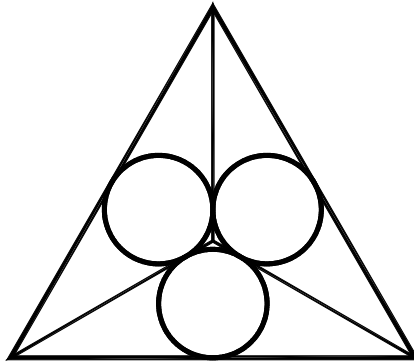
2. The figure below shows three views in first angle orthographic projection and an oblique view of a shaped block.  
 Draw, to the dimensions given, an isometric view of the component, making 'X' the lowest corner in your drawing.

14 marks



3. The figure below shows a wrought iron triangular frame.  
 Within the given triangle on the starter sheet, draw, using geometrical construction, the given pattern.

**16 marks**



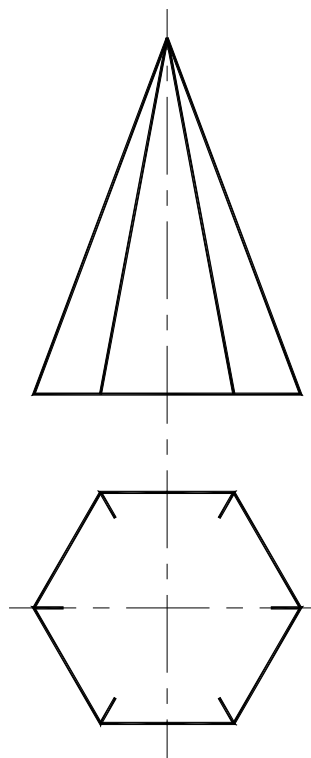
4. Within the given circle shown on the starter sheet, construct geometrically a regular **pentagon**.  
 Show all constructional details.

**16 marks**

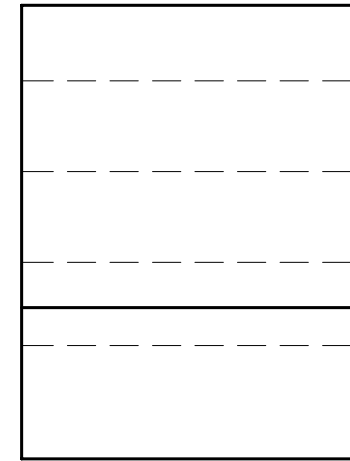
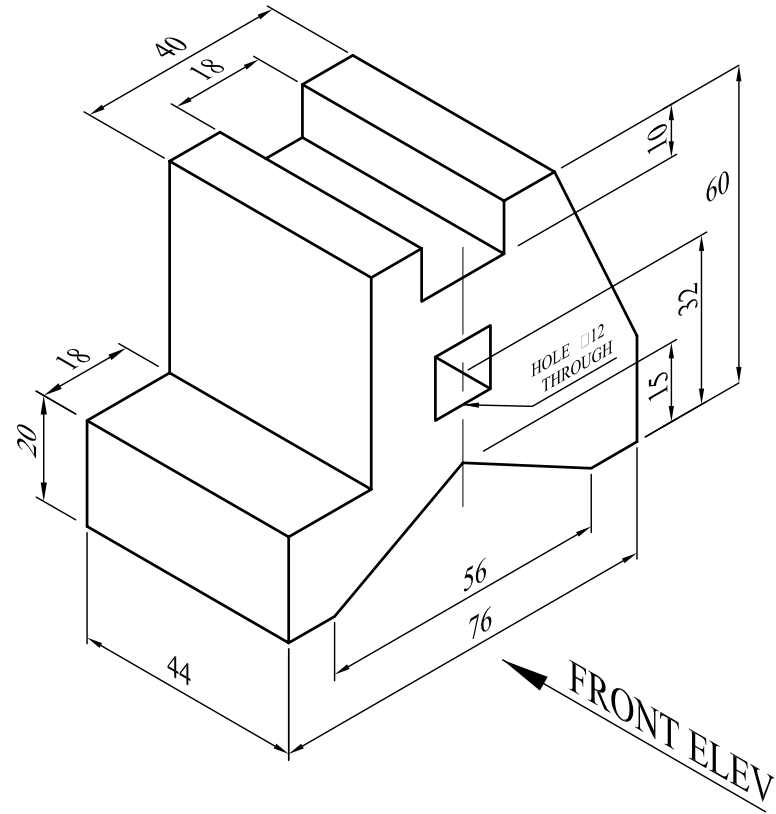
5. The drawing below shows a front elevation and an incomplete plan of a hexagonal pyramid.  
 Using a scale of full size draw:

- (a) a complete plan  
 (b) a one piece development of the whole pyramid not including the base.

**18 marks**



QUESTION No.1



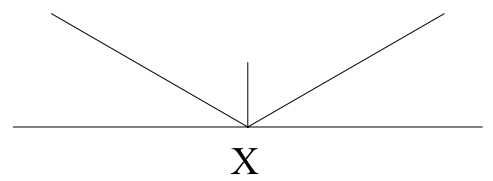
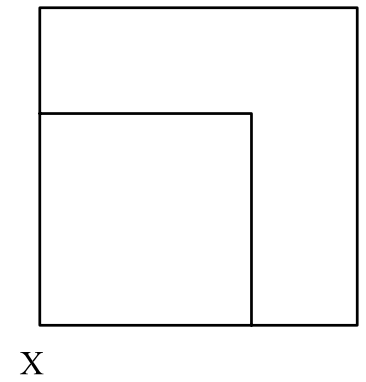
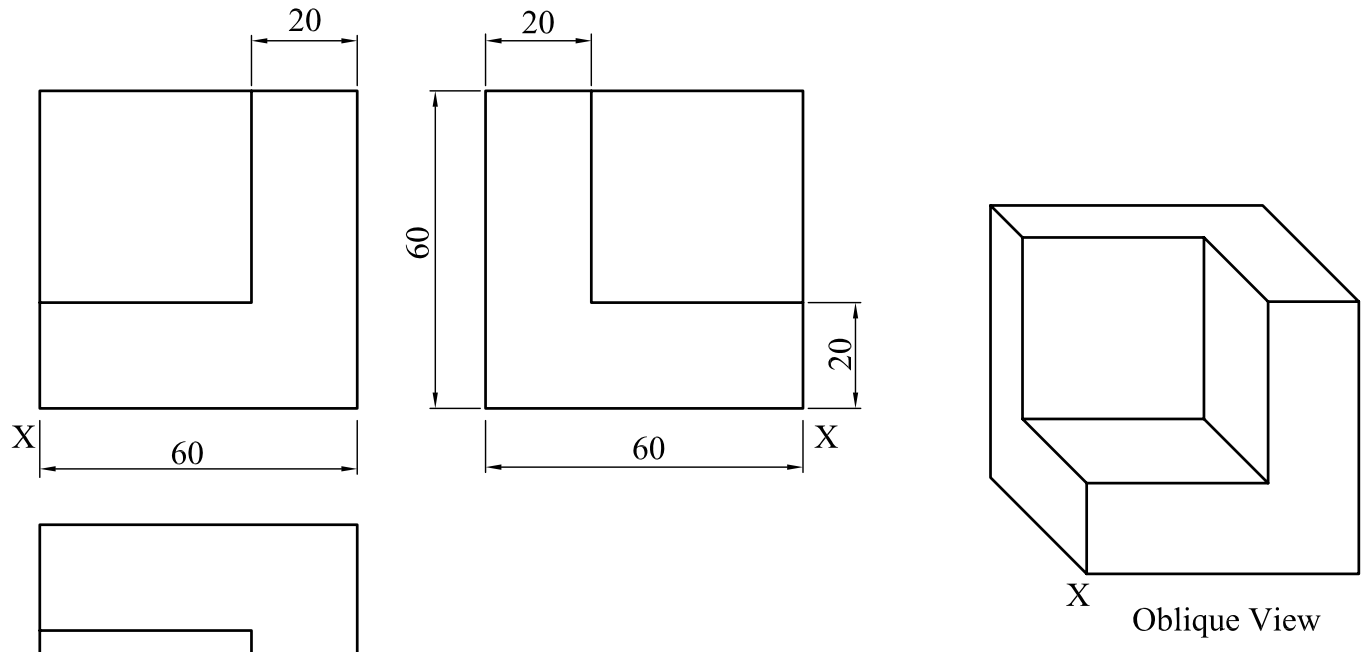
NOTE: THE GIVEN PICTORIAL VIEW  
IS NOT DRAWN TO SCALE

PROJECTION SYMBOL: -----

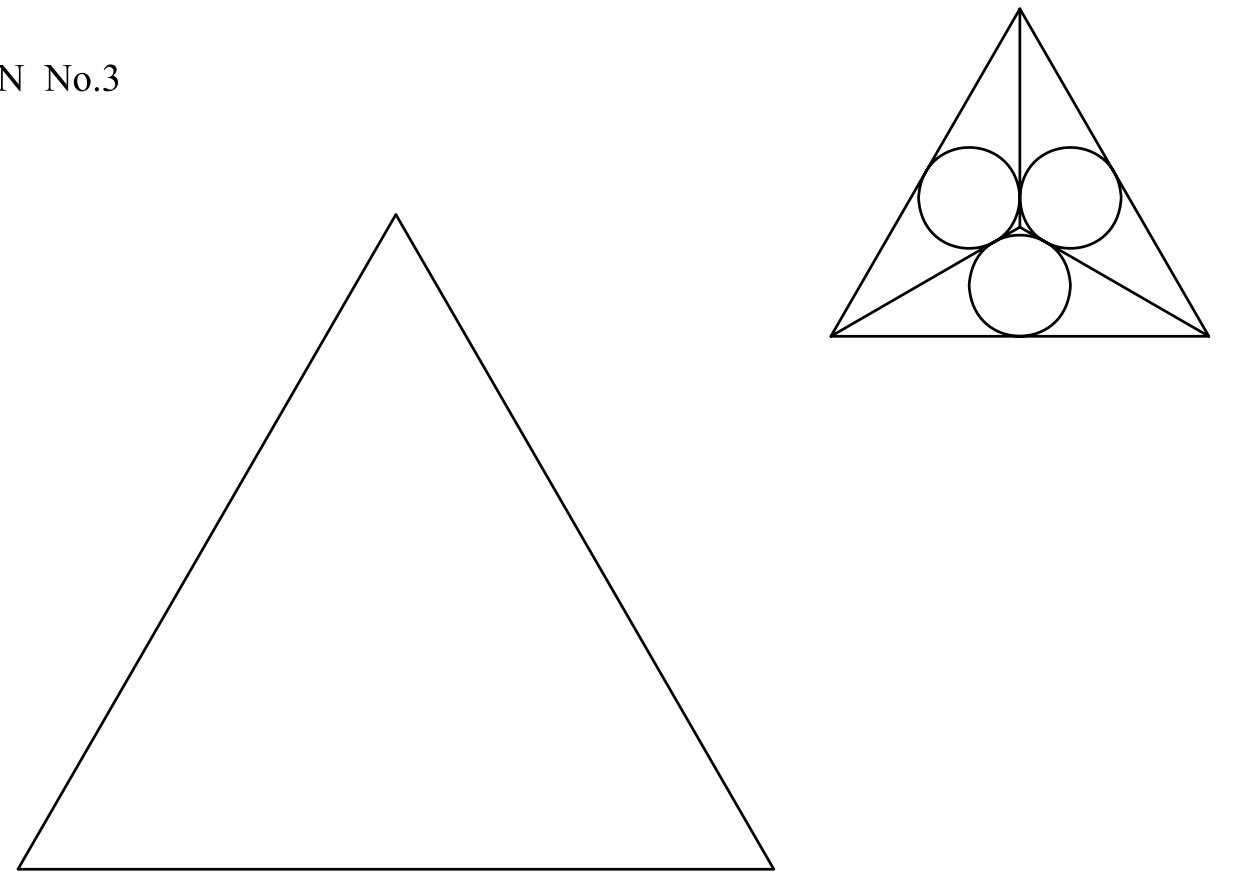
Scale 1 : 1

|   |                 |       |       |       |
|---|-----------------|-------|-------|-------|
| JL_FORM 2_Annual Exams 2009<br>Graphical Communication (Tech. Des.) | NAME OF OBJECT: | NAME: | DATE: | FORM: |
|---|-----------------|-------|-------|-------|

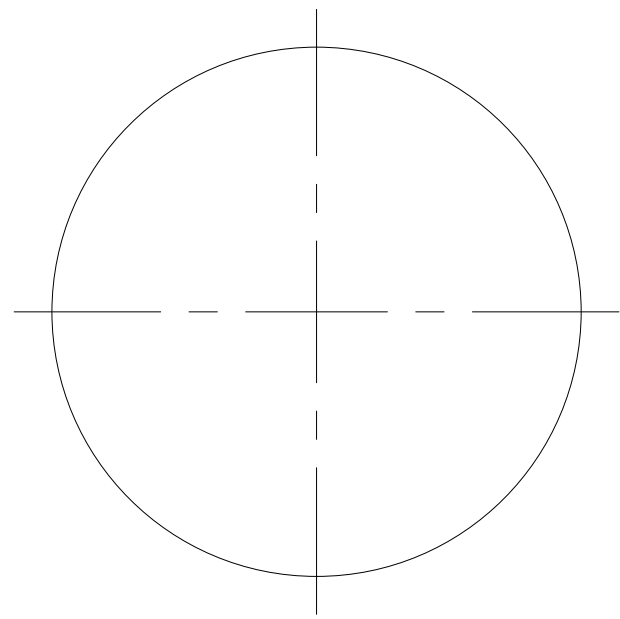
QUESTION No.2



QUESTION No.3



QUESTION No.4



QUESTION No.5

