

JUNIOR LYCEUM ANNUAL EXAMINATIONS 2007

Education Assessment Unit - Education Division

FORM 3 (1st year) TECHNICAL DESIGN Time: 2 hours

NAME : _____

CLASS : _____

Instructions

- Write your name and class on all sheets.
- Attempt **ALL** questions.
- All answers are to be drawn accurately, with instruments, unless otherwise stated.
- All construction lines **MUST** be left on each solution to show the method used.
- Drawing aids may be used.

Information

- All dimensions are in millimetres.
- Estimate any dimension not given.
- Marks will be awarded for accuracy, clarity and appropriateness of construction.

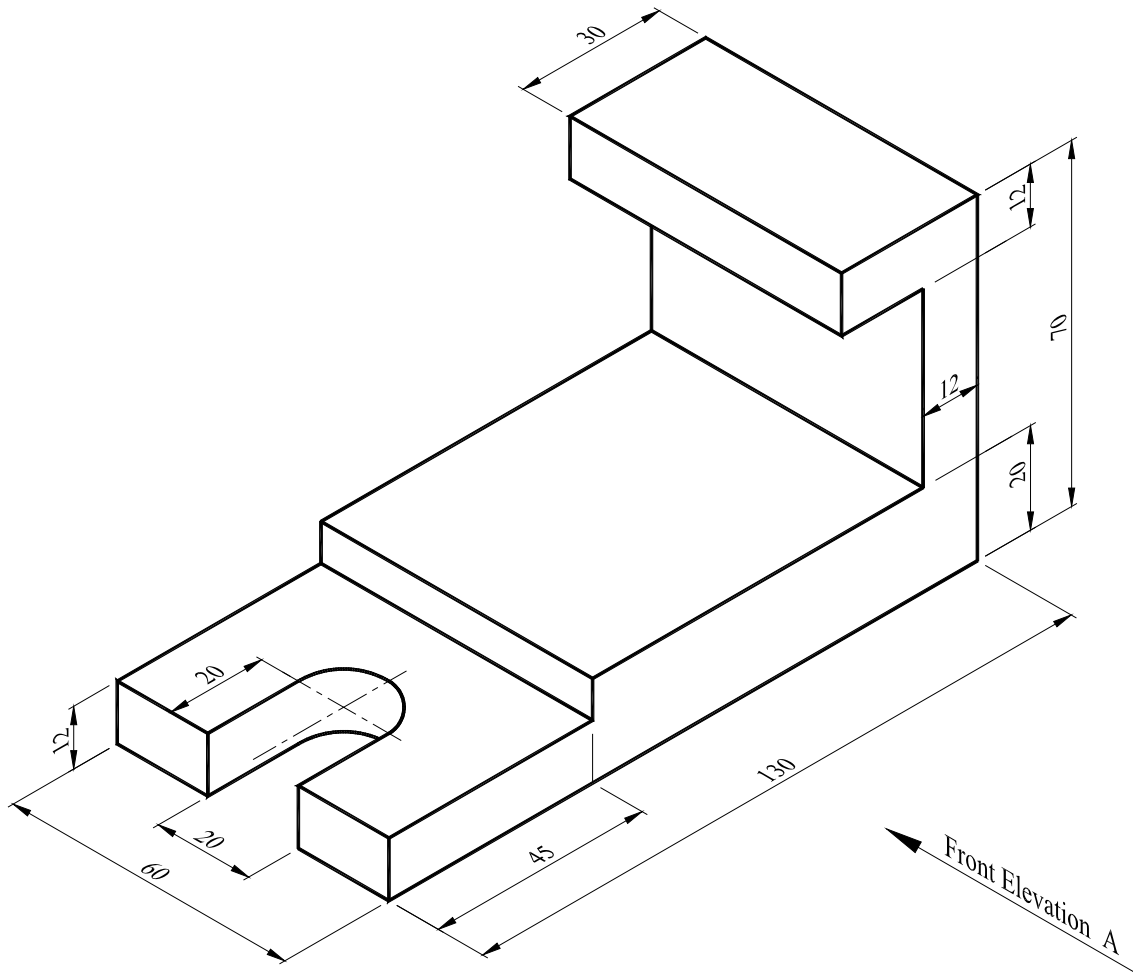
Question	1	2	3	4	5
Max. mark	36	16	16	16	16
Mark					

1. The figure below shows a pictorial view of a BRACKET.
Draw, in first angle projection, the following views:

- (a) a front elevation from arrow A. 16 marks
(b) a complete plan. 15 marks

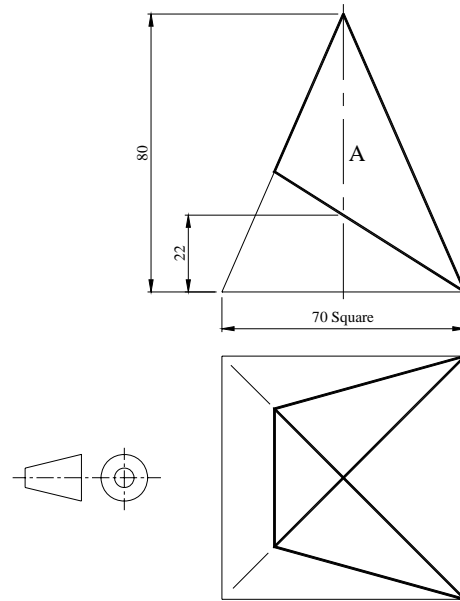
- Note: (i) Show the scale used. 2 marks
(ii) Draw the symbol of projection used. 3 marks
(iii) Include all hidden details.

Total 36 marks



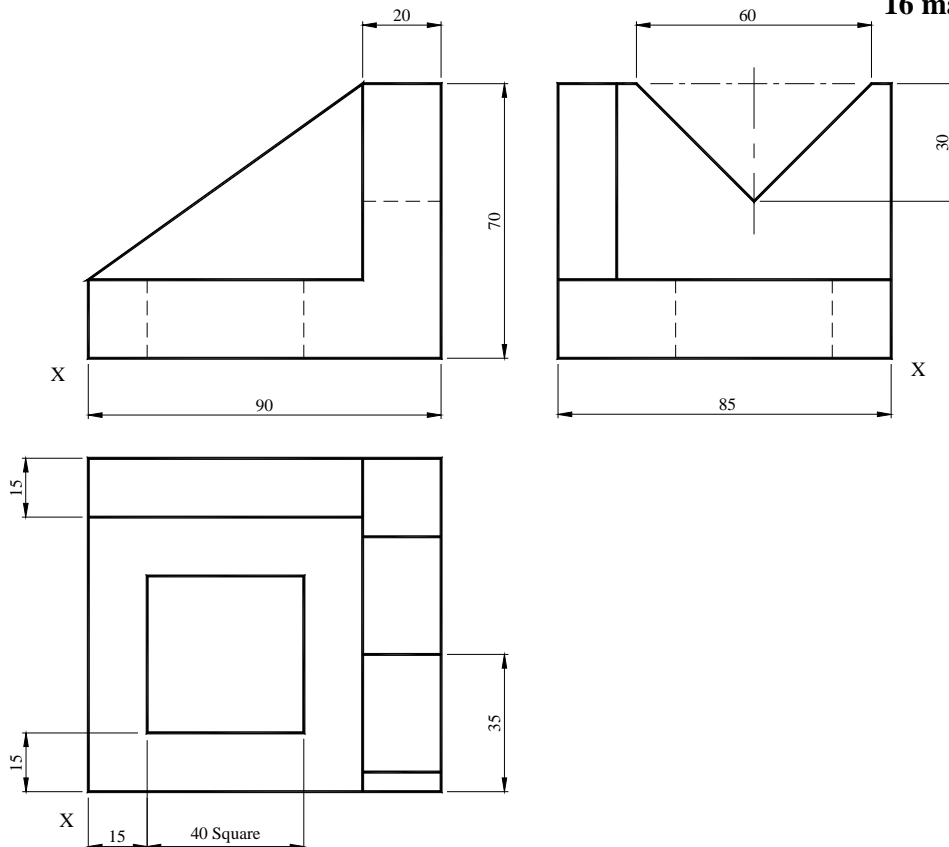
2. The figure shows a front elevation and a complete plan of a truncated square pyramid.
 Draw a one piece development of the Pyramid.
 Show all construction lines.

16 marks



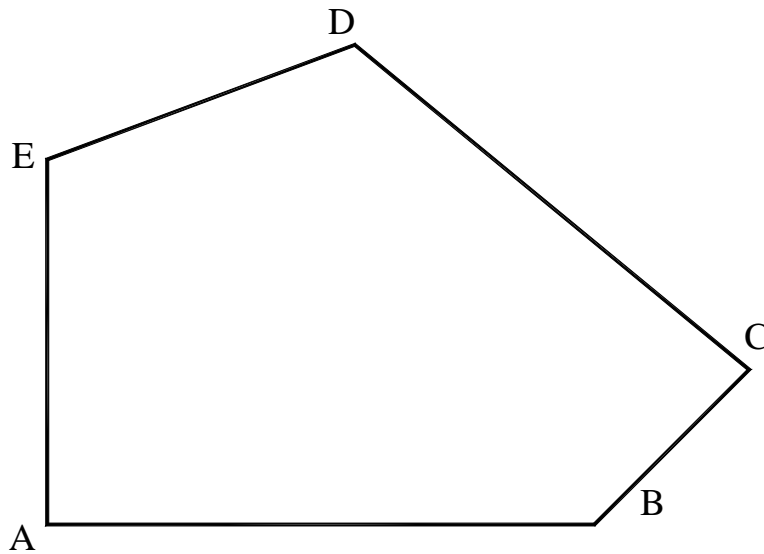
3. The figure below shows an orthographic projection in first angle of an 'Angle Block'.
 Draw an isometric projection of the component positioning corner X in the foreground.

16 marks



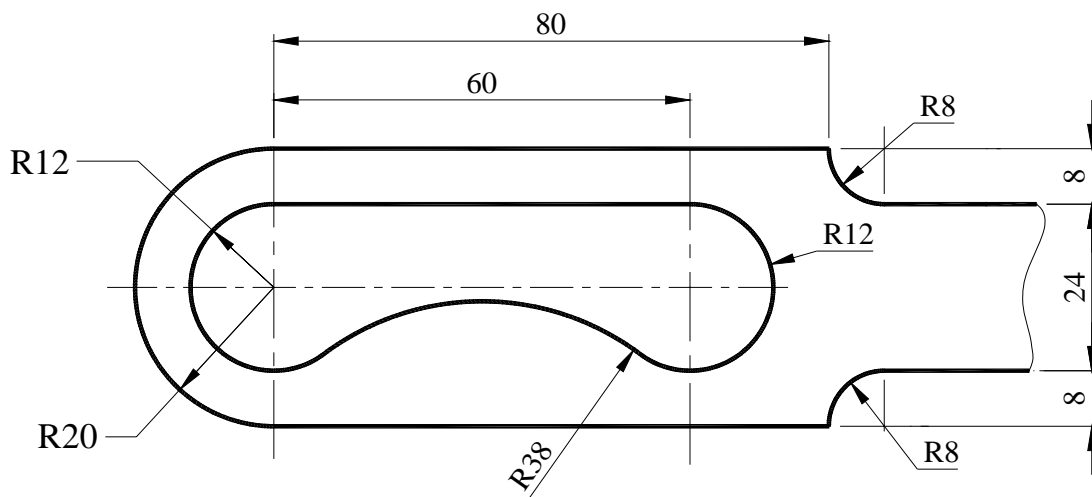
4. Enlarge the given figure so that the sides are in the ratio of 3:2.
All construction is to be shown.

16 marks

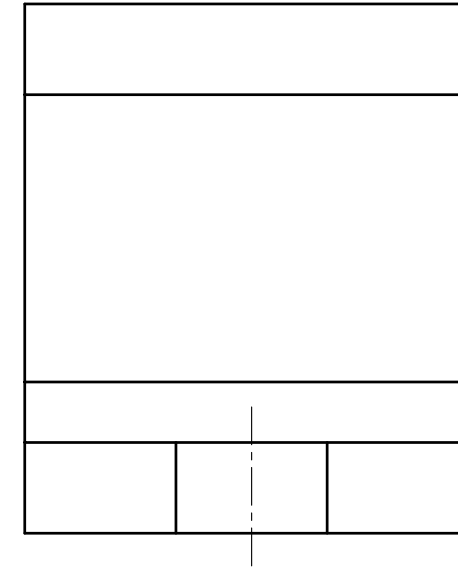


5. The figure below shows a machined handle.
Draw, to a scale of 1:1, the handle shown.
All construction used to find the centres of all arcs is to be clearly shown.
Note: The drawing below is not drawn to scale.

16 marks

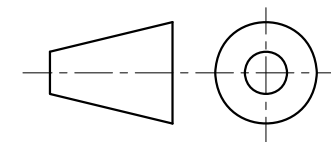
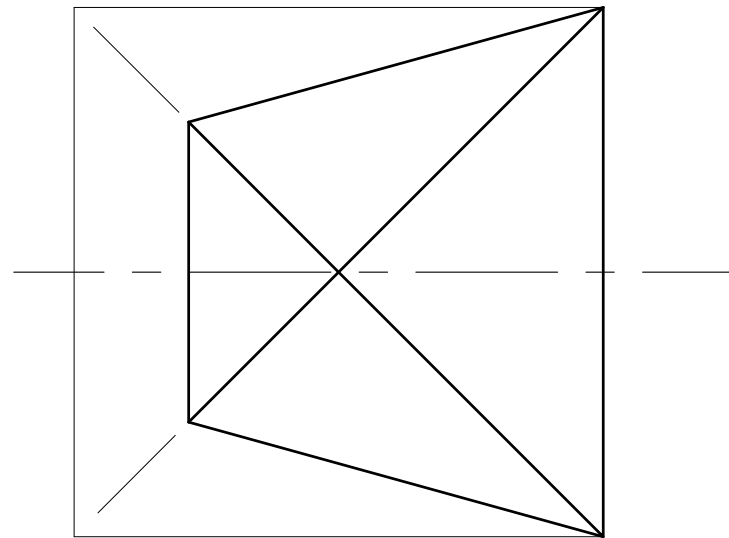
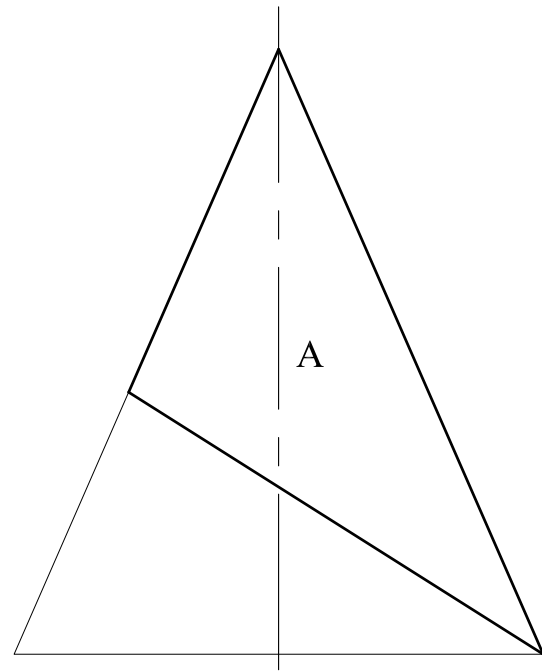


QUESTION No.1



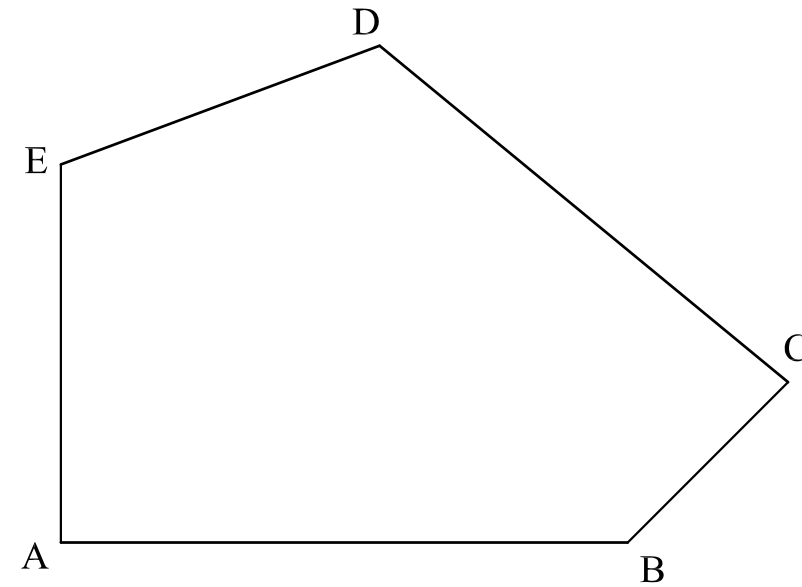
END ELEVATION

QUESTION No.2



QUESTION No.3

QUESTION No.4



QUESTION No.5

