

SECONDARY SCHOOLS ANNUAL EXAMINATIONS 2000

Educational Assessment Unit – Education Division

Form 2

TECHNICAL DESIGN

Time: 2 hours

Notes

1. Answer all questions.
2. All dimensions are in mm.
3. Drawing aids may be used.
4. All construction lines must be shown where appropriate.
5. **You are required to use one side of your paper for question number 3 only.**

Question 1

Draw a borderline and a title (name) block on one side of your drawing paper. In the appropriate spaces print in free hand simple block letters:

- a) Your surname and name.
- b) Your class.
- c) Annual examination.
- d) Date.
- e) In the middle space of the title block write down the name of the drawing in question number 3, i.e. **VEE BLOCK**.

10 marks

Question 2

- a) Construct a regular octagon inside a square 80mm diagonals. (4 marks)
- b) Draw a regular octagon in a circle 80mm diameter. (4 marks)
- c) Construct a regular pentagon in a circle 80mm diameter. (4 marks)
- d) Draw a regular hexagon in a circle 80mm diameter. (2 marks)

14 marks

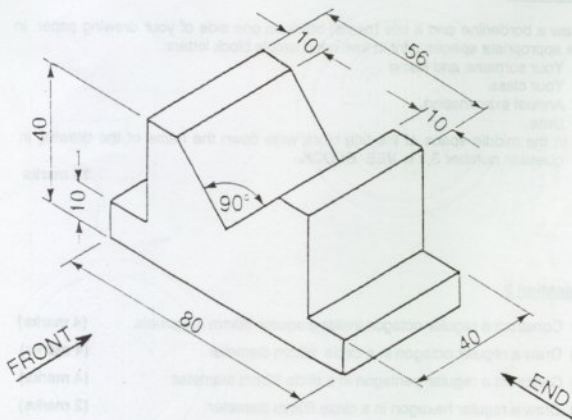
Question 3

Figure 1 below shows a **VEE BLOCK**. To the dimensions given draw in either 1st or 3rd angle orthographic projection:

- a) An elevation in the direction of arrow F. (13 marks)
- b) An end (side) elevation. (13 marks)
- c) A plan. (13 marks)
- d) The symbol of the projection used. (2 marks)

Show all hidden detail.

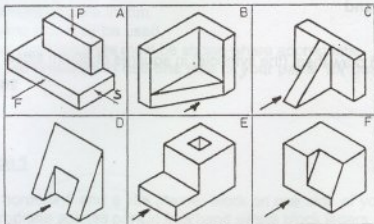
TOTAL 41 marks



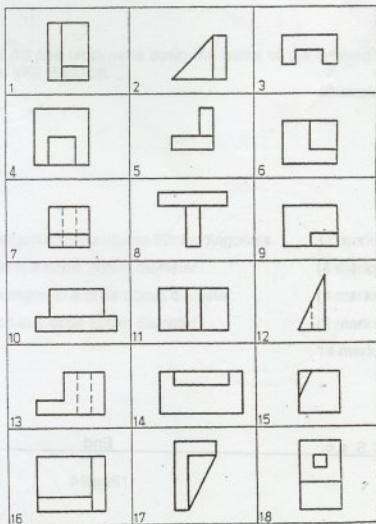
Question 4

The figure shows the blocks A, B, C, D, E, and F in pictorial projection. The arrow indicates the direction of the front elevation. Select from the given orthographic views 1 to 18, the relevant front views **F**, side views **S**, and plans **P**. **Draw** a table similar to the one given and insert your answers in the table. The answers for A are done for you.

15 marks



	F	S	P
A	10	5	14
B			
C			
D			
E			
F			



Question 5

A large billboard, with symbols (IDEOGRAMS) drawn on it, is to be fixed near the exit (outlet) of the airport. Amongst the symbols, the following are required:

- a) Coach,
- b) Car Park,
- c) Self Drive Cars, and
- d) Taxis,

Choose any **two** and draw them (the symbols) in squares of 80mm sides.

20 marks

C.S. s.c.

End