

**FORM 2**

**GRAPHICAL COMMUNICATION**

**TIME: 2 hours**

Name: \_\_\_\_\_

Class: \_\_\_\_\_

### Instructions

- Write your name and class on all sheets.
- Attempt **ALL** questions.
- Answer all questions accurately, using instruments, unless otherwise stated.
- All construction lines **MUST** be left on each solution to show the method used.
- Drawing aids may be used.

### Information

- All dimensions are in millimetres.
- Estimate any missing dimension.
- Marks will be awarded for accuracy, clarity and construction.

Question	1	2	3	4	5	Total
Max. mark	36	16	18	12	18	100
Mark						

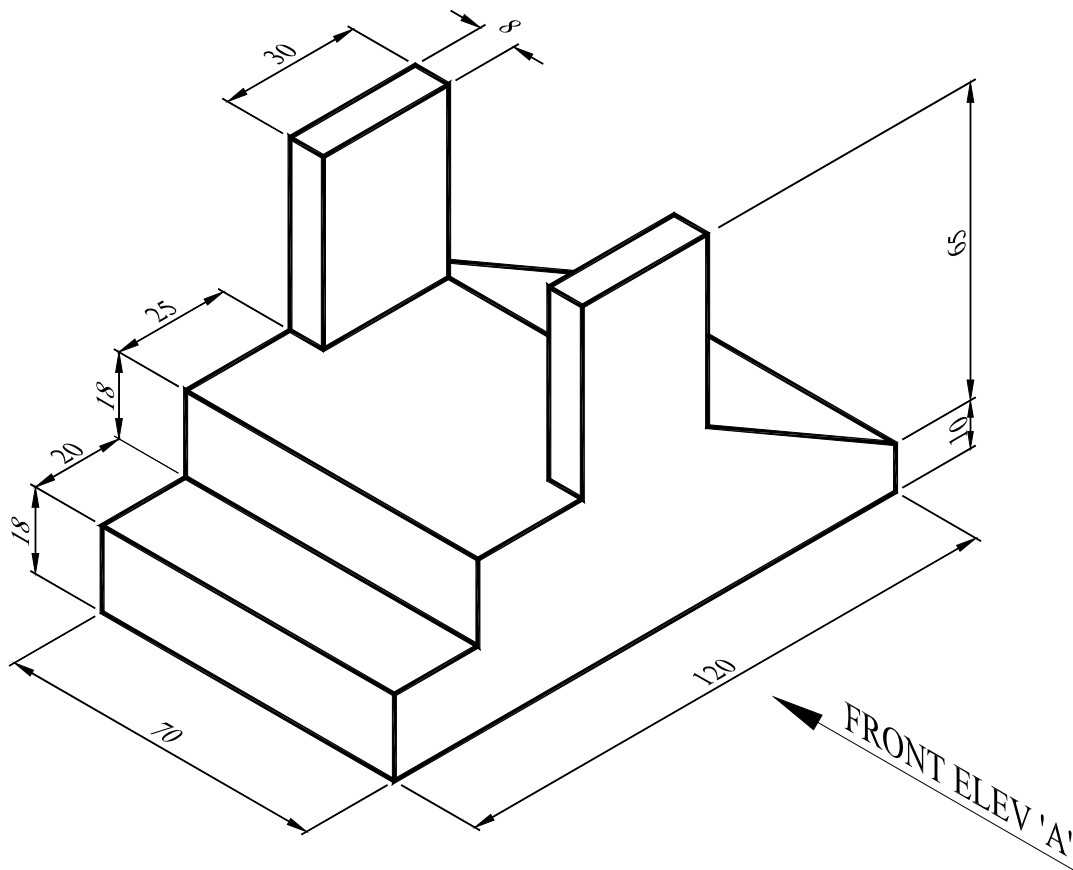
1. The figure below shows a pictorial view of a **CHILDRENS' SLIDE**.  
 Draw full size, in first angle orthographic projection:
- (a) a front elevation as seen from arrow 'A'; (show hidden detail) 14 marks
  - (b) a complete plan. 13 marks

Note: The end elevation is already drawn on the starter sheet.

Include the following in your drawing:

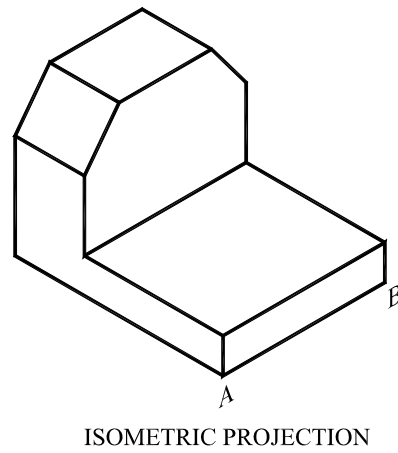
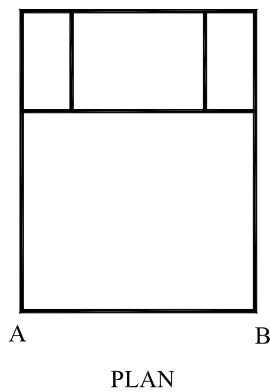
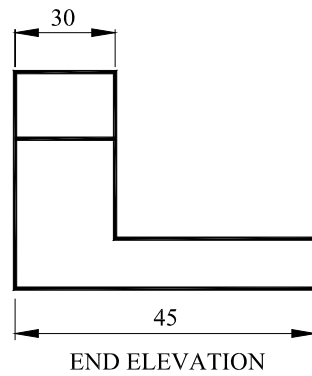
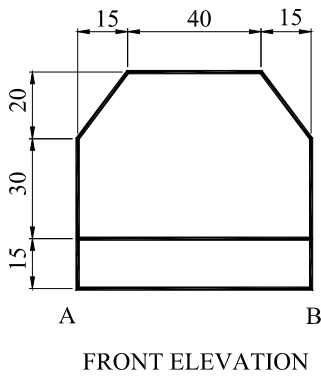
- (i) the symbol of projection used 2 marks
- (ii) in the Name Block provided, print in the missing items:  
 Name, Date, Title, Scale, etc. 7 marks

**Total 36 marks**



2. Three orthographic views in first angle orthographic projection and an isometric projection of a bracket are shown below. Using the given start lines, draw full size, an **oblique projection** of the bracket, putting face 'A B' on the foreground.

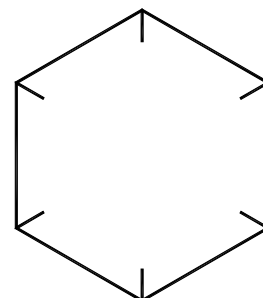
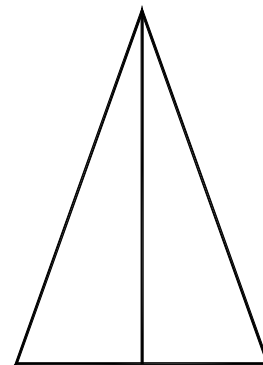
16 marks



3. The drawing shows an incomplete plan and a front elevation of a hexagonal pyramid. Draw full size:

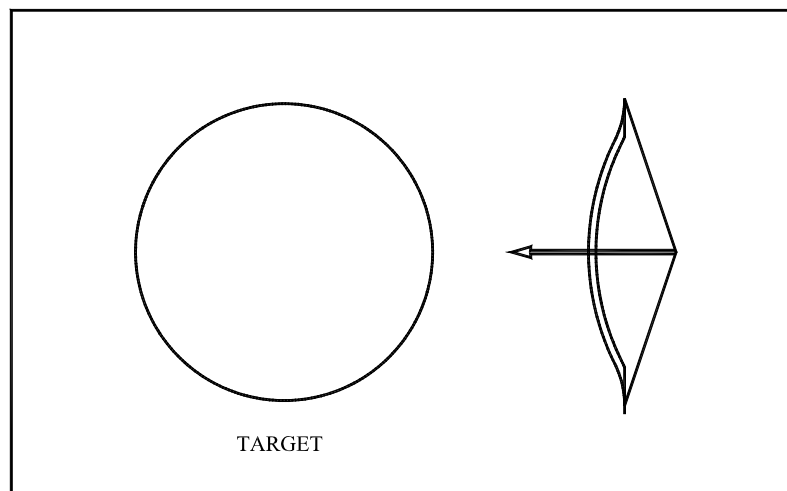
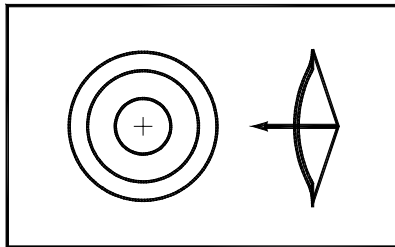
- a complete plan,
- a one piece development of the whole pyramid. Do not include the base.

18 marks



4. The drawing below on the left hand side shows the logo of an archery club. Complete the unfinished logo given on the starter sheet by:
- finding the centre of the target using the necessary construction
  - drawing two concentric circles, having diameters of 30mm and 60mm respectively.

12 marks

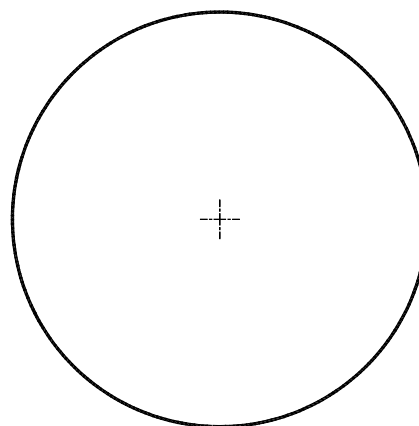
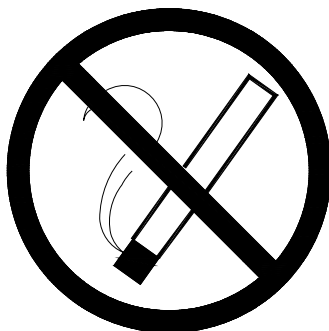


5. The drawing below shows a **Prohibition Sign** indicating that no smoking is allowed.

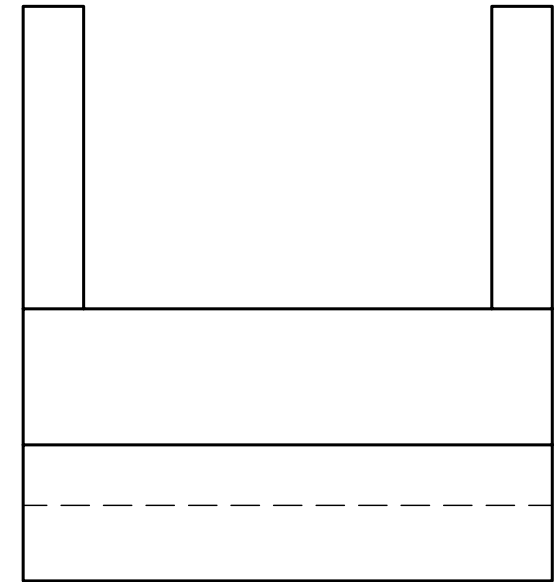
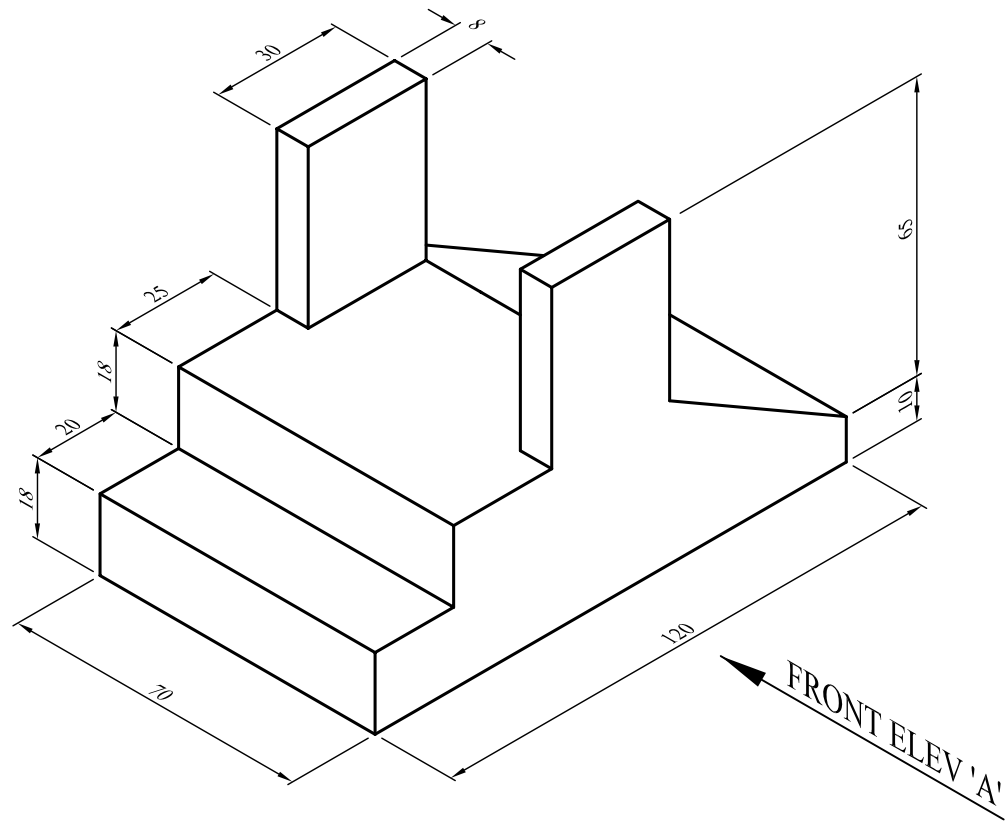
A seaside village has a small sandy beach. The local council has decided that fishing will not be permitted any more from the beach area and a prohibition sign shall be fixed nearby. Within the given circle on the starter sheet, draw a **Prohibition Sign** indicating that **fishing is not allowed** (no fishing).

Colour your sign according to standard specifications.

18 marks




QUESTION No.1



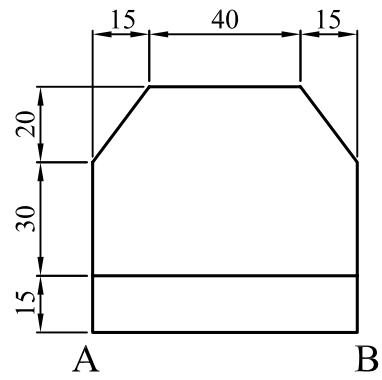
END ELEVATION

NOTE: THE GIVEN PICTORIAL VIEW  
IS NOT DRAWN TO SCALE

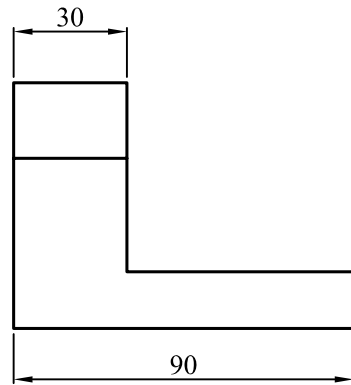
PROJECTION SYMBOL: -----

 Track 2 _ FORM 2 _ 2010 GRAPHICAL COMMUNICATION	EDUCATIONAL ASSESSMENT UNIT	NAME OF OBJECT	NAME:	CLASS:	DATE:	SCALE:
---	-----------------------------	----------------	-------	--------	-------	--------

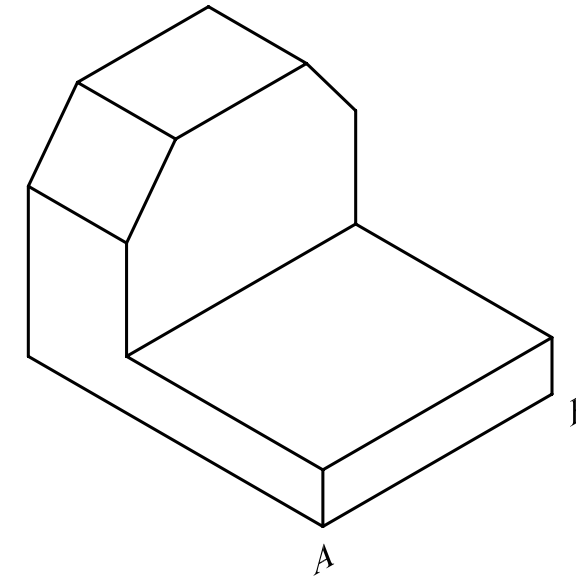
QUESTION No. 2



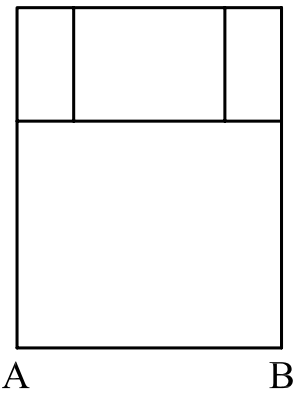
FRONT ELEVATION



END ELEVATION



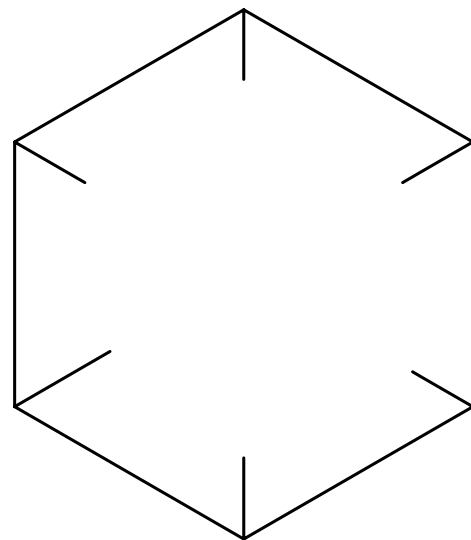
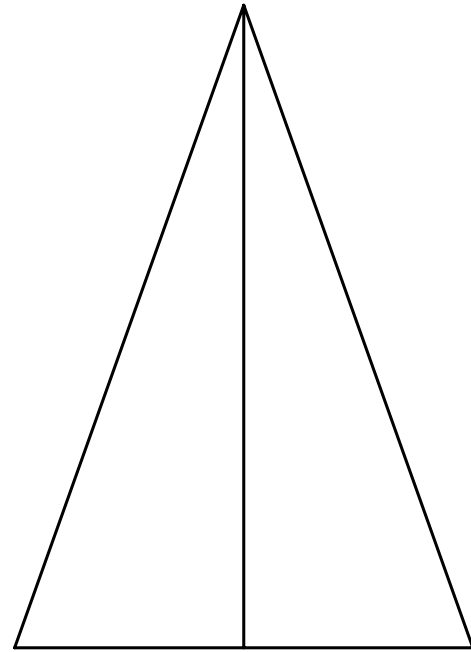
ISOMETRIC VIEW



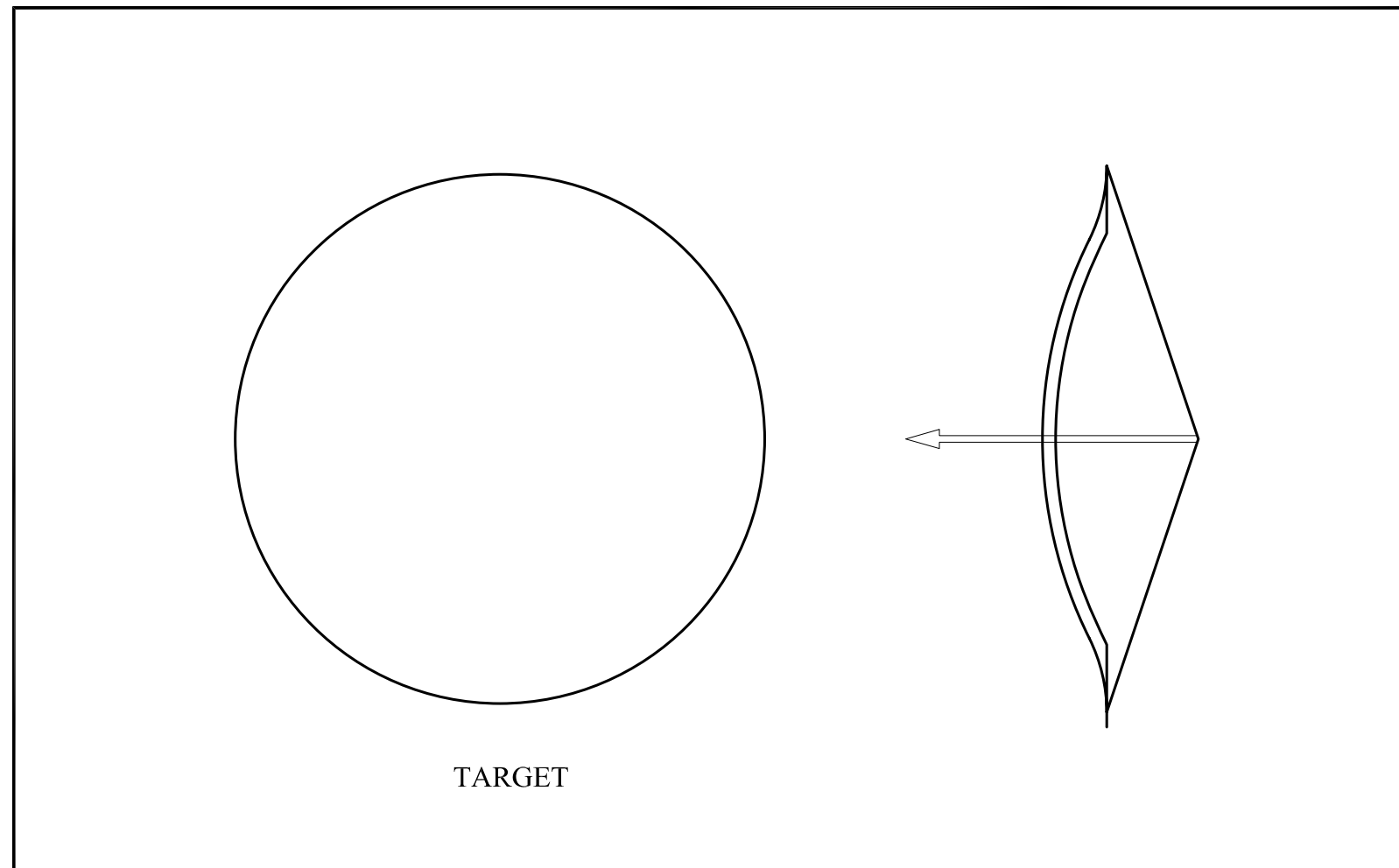
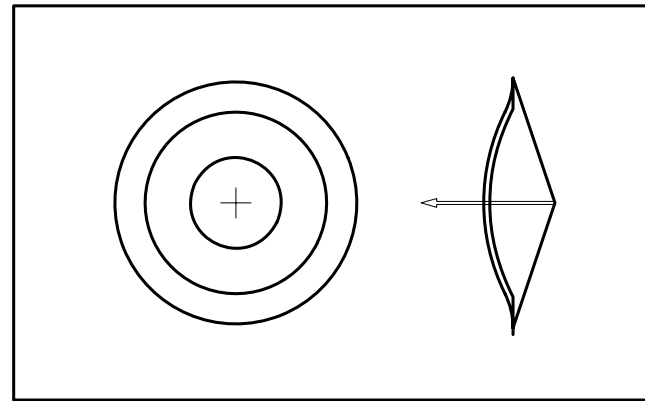
PLAN



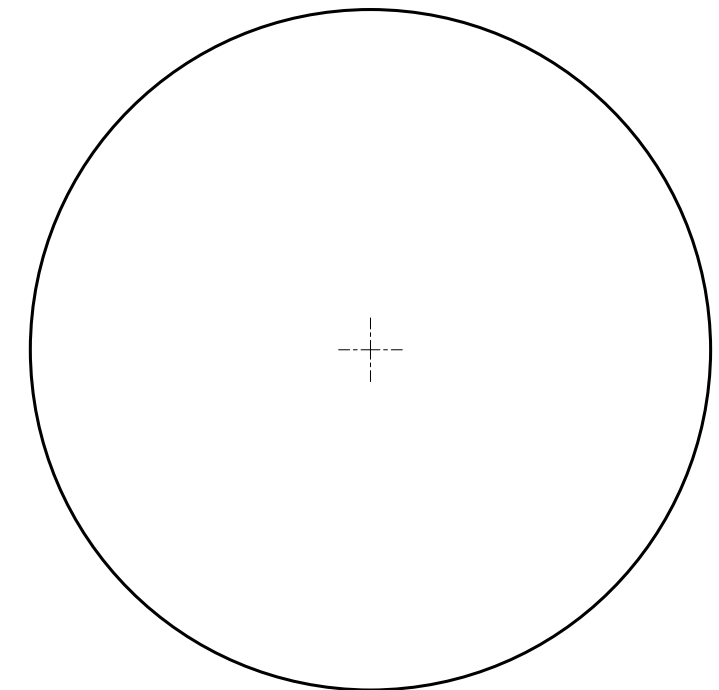
QUESTION No. 3



QUESTION No. 4



QUESTION No. 5



Sheet 4 of 4