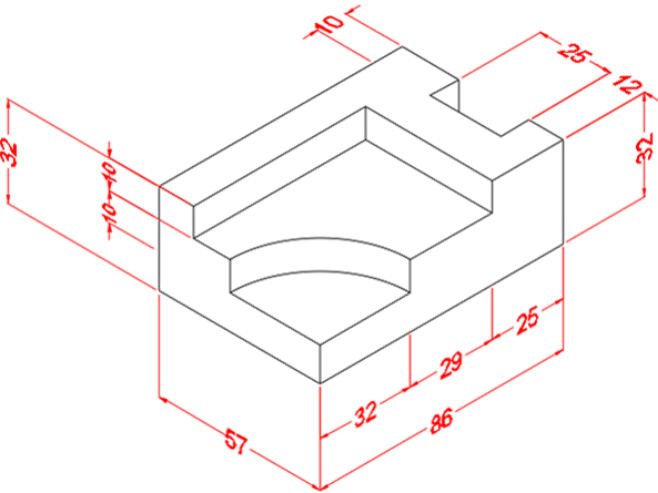
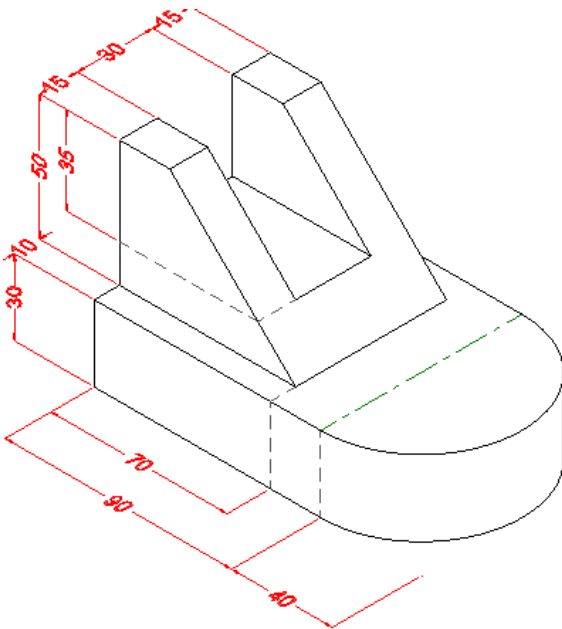


# PLANOMETRIC



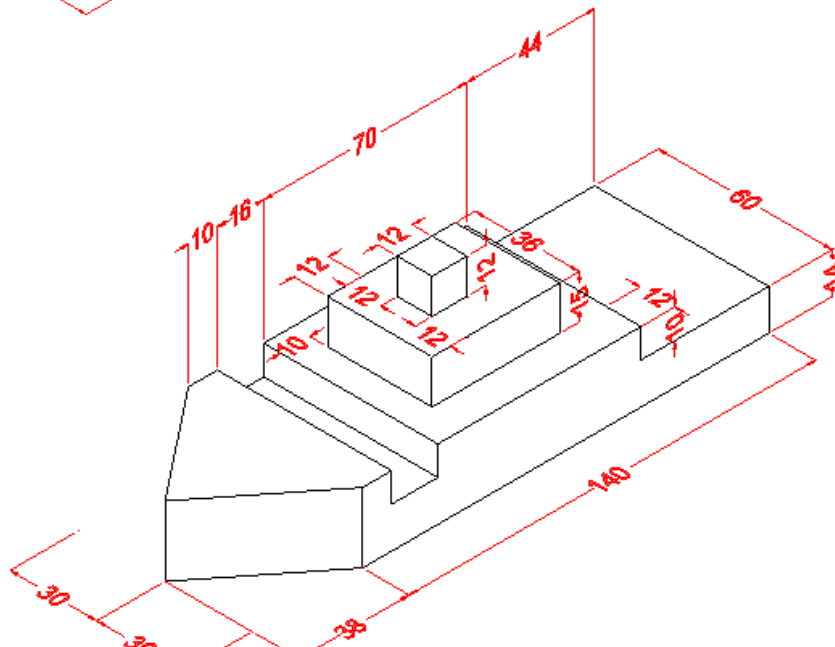
## Design C

Part of a pool stairs corner at Point C ( $45^{\circ}/45^{\circ}$ )



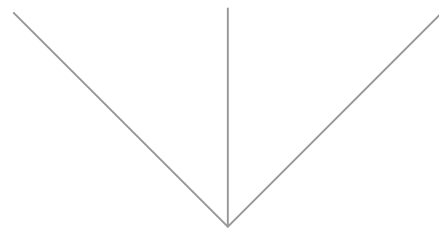
## Design D

Speed boat block design at Point D ( $45^{\circ}/45^{\circ}$ )

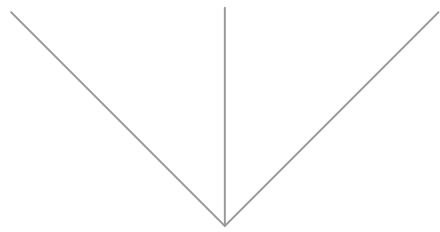


## Design E

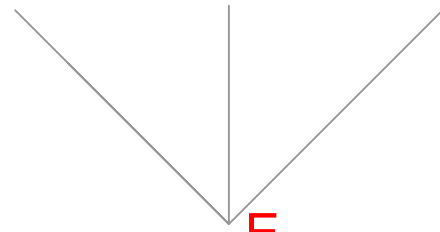
Ship block design at Point E ( $45^{\circ}/45^{\circ}$ )



C



D



E

