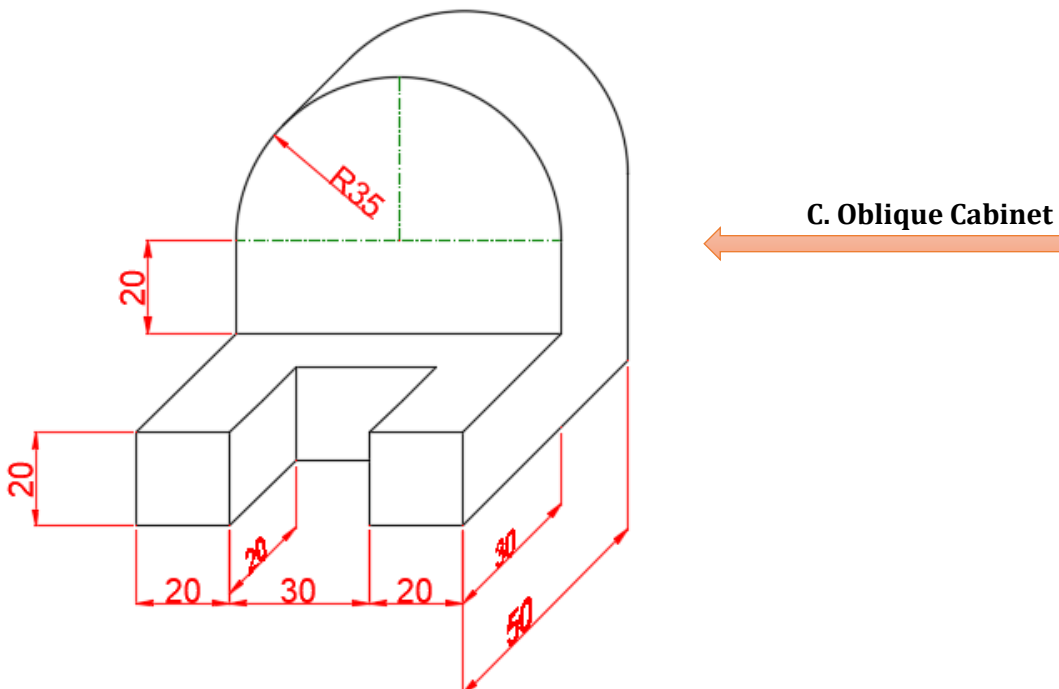
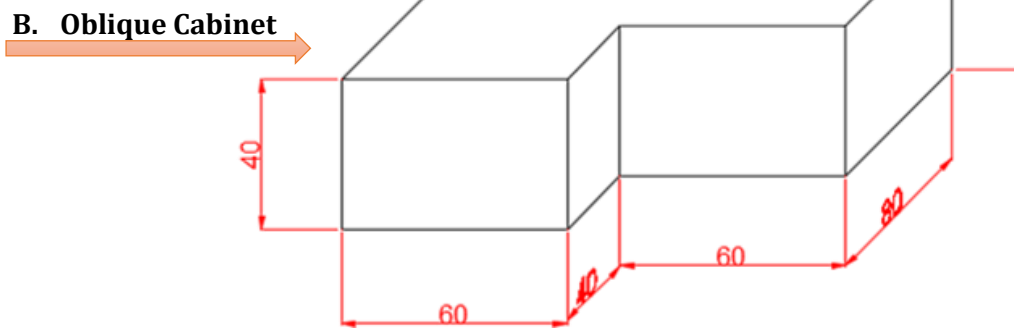
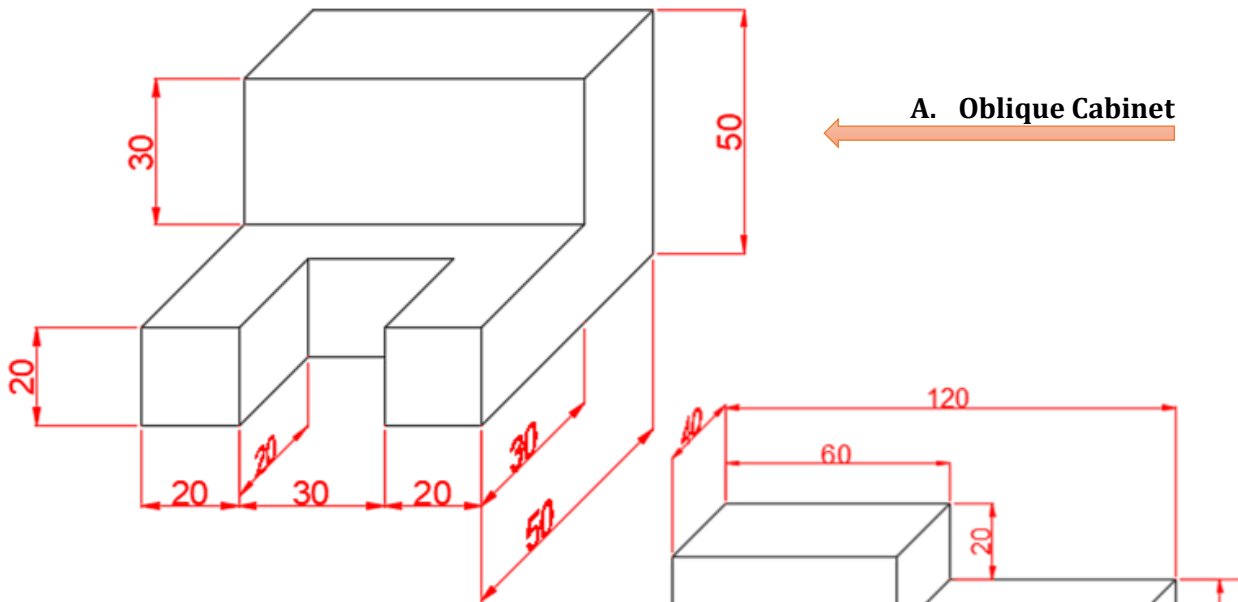
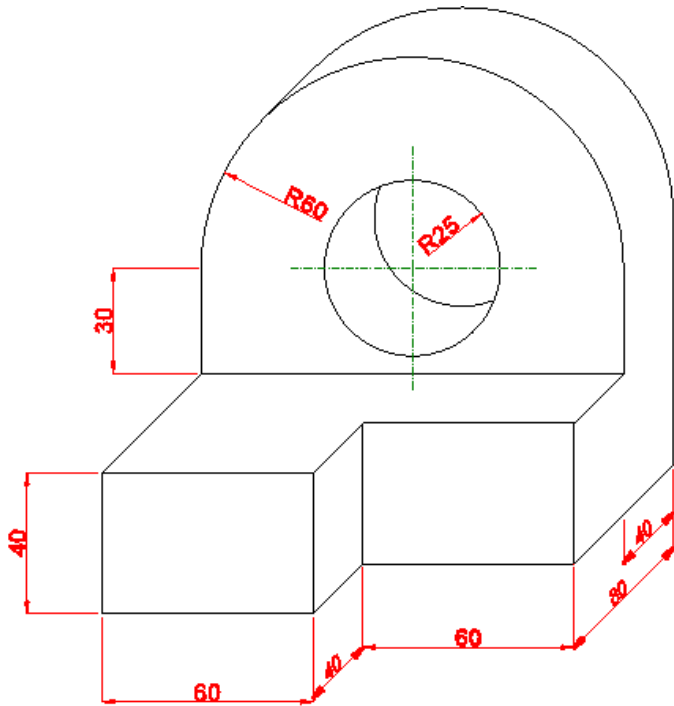


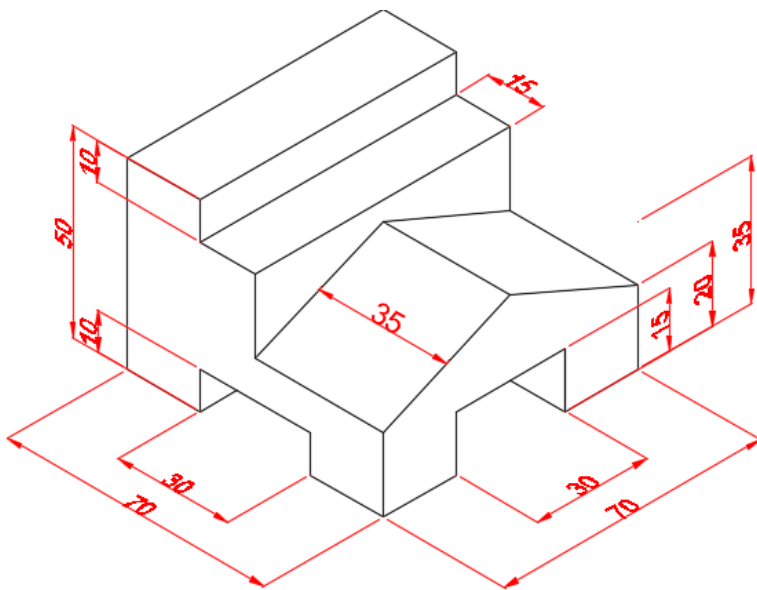
Oblique Projection



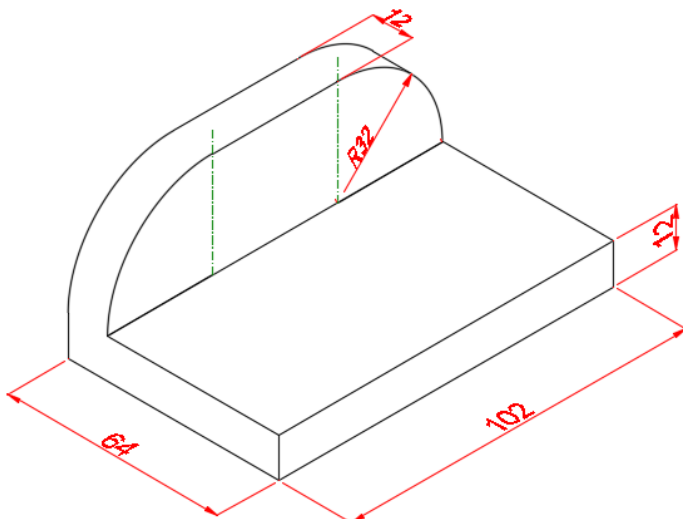
Oblique Projection



D. Oblique Cabinet



E. From isometric to Oblique Cabinet



F. From isometric to Oblique Cabinet

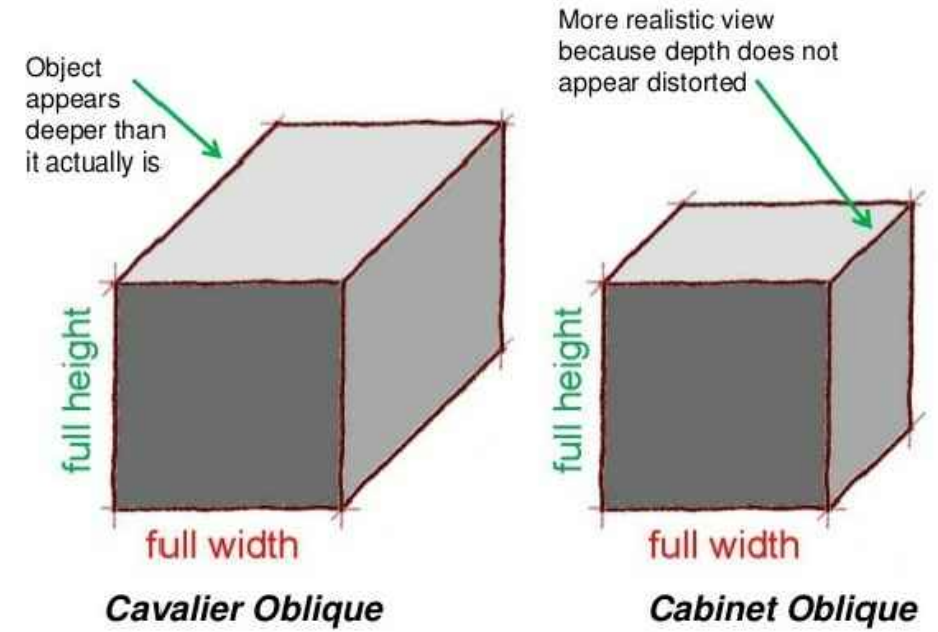
Notes:

Oblique Projection is a type of projection where three different views are present.

The front of the object is drawn to its original length i.e. its true lengths. It is useful for circles which can be drawn with a compass if they appear on the front of the object.

Such projection is created by making use of the 45 degree angle set-square.

There are two types of Oblique Projections, Cavalier and Cabinet. Both have characteristics which make them slightly different from each other.



A

B

DRG NO. : 1

DATE:

OBLIQUE PROJECTION

NAME:

CLASS:

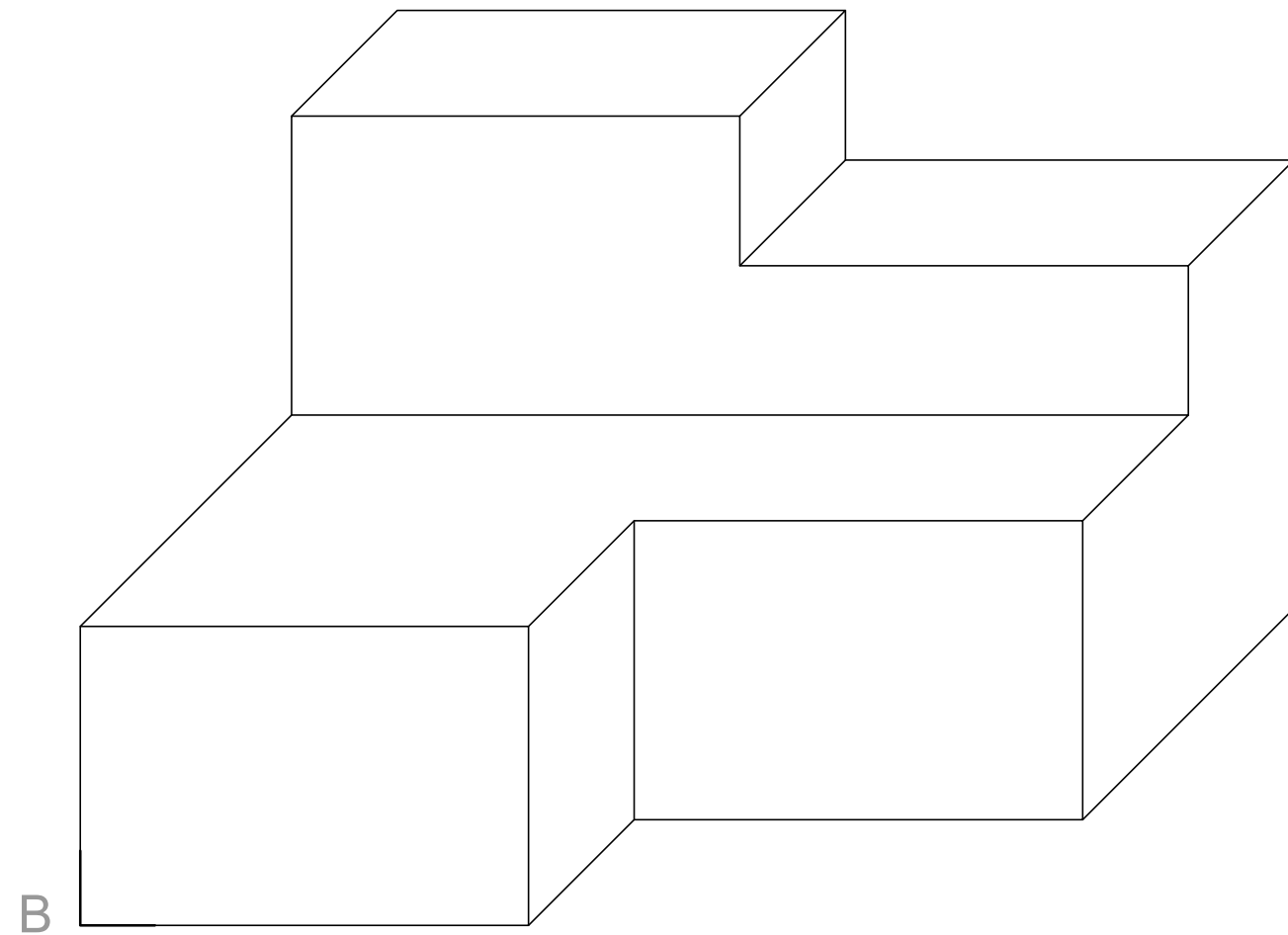
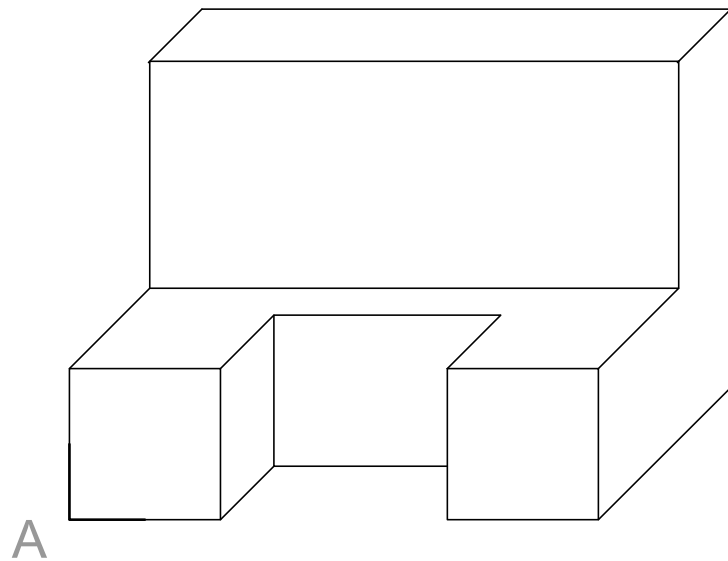
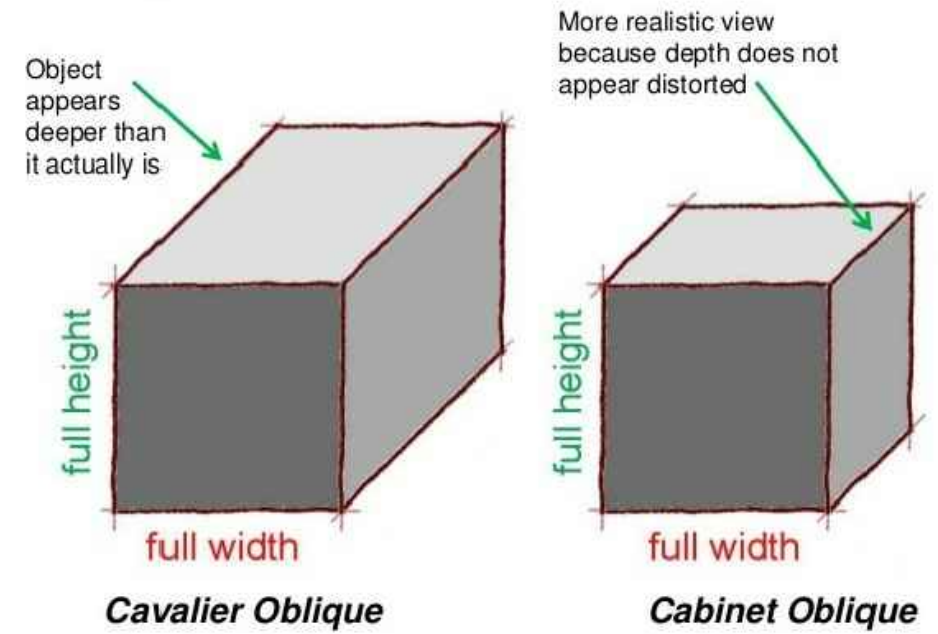
Notes:

Oblique Projection is a type of projection where three different views are present.

The front of the object is drawn to its original length i.e. its true lengths. It is useful for circles which can be drawn with a compass if they appear on the front of the object.

Such projection is created by making use of the 45 degree angle set-square.

There are two types of Oblique Projections, Cavalier and Cabinet. Both have characteristics which make them slightly different from each other.



DRG NO. : 1

DATE:

OBLIQUE PROJECTION

NAME:

CLASS:

C

F

E

D

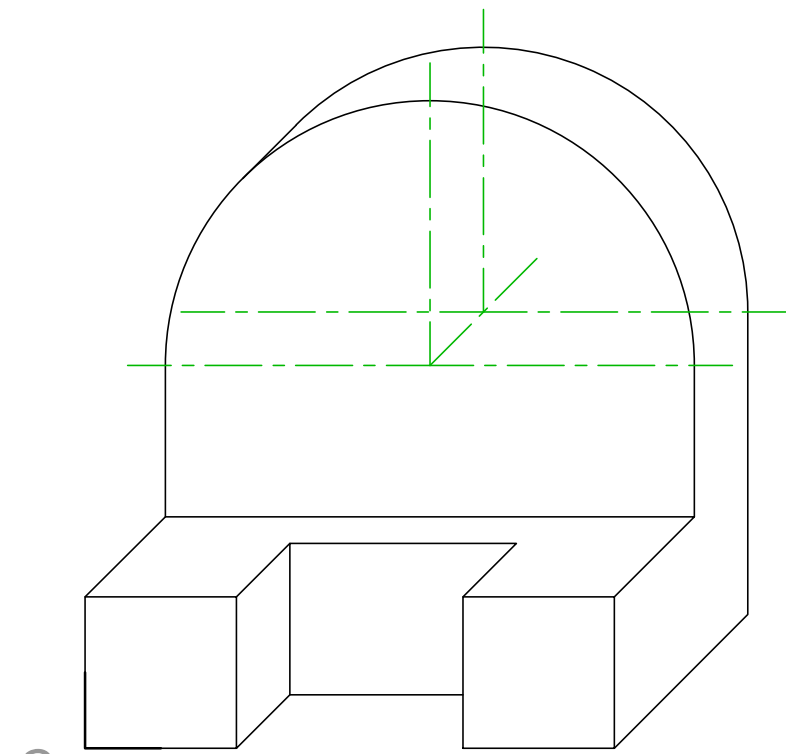
DRG NO. : 2

DATE:

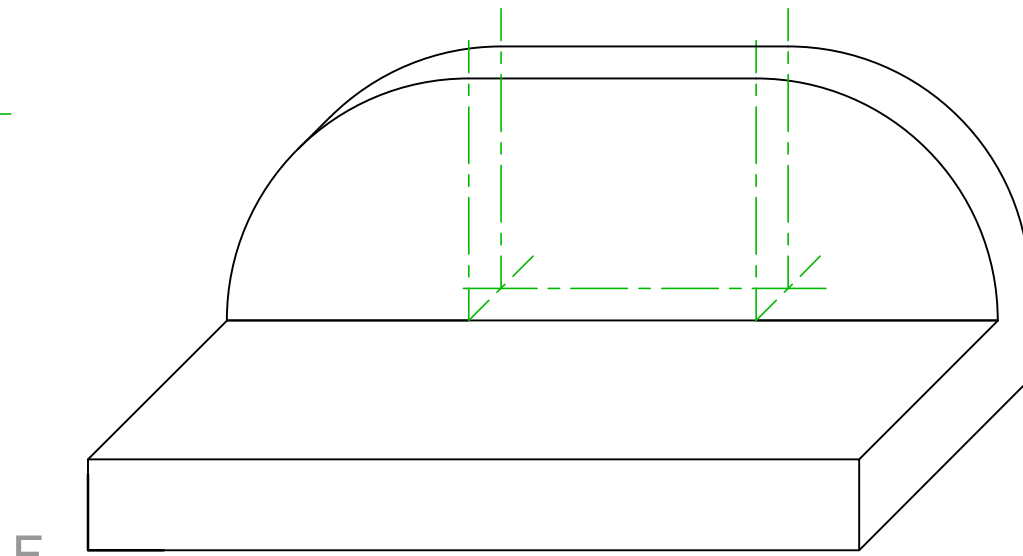
OBLIQUE PROJECTION

NAME:

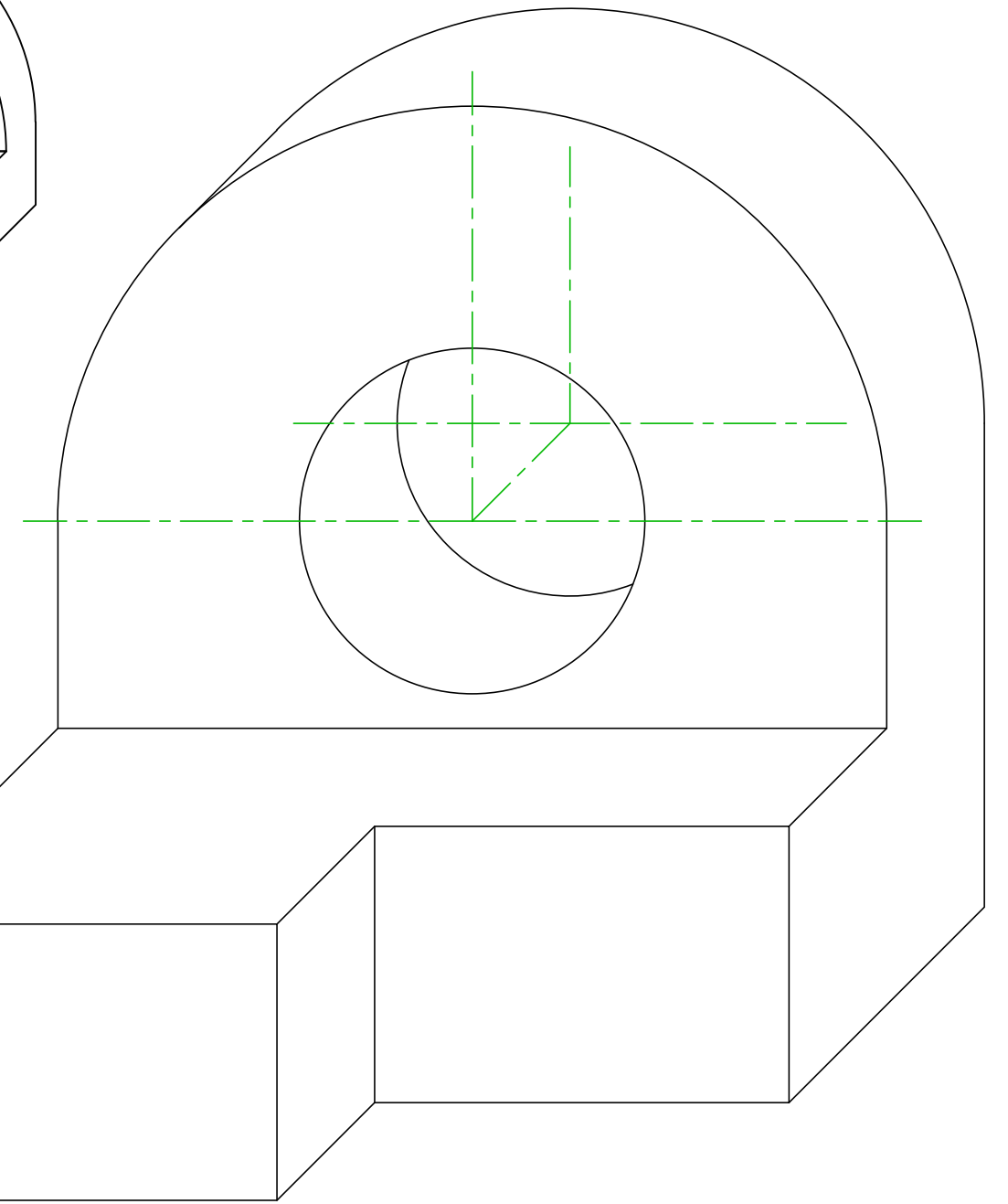
CLASS:



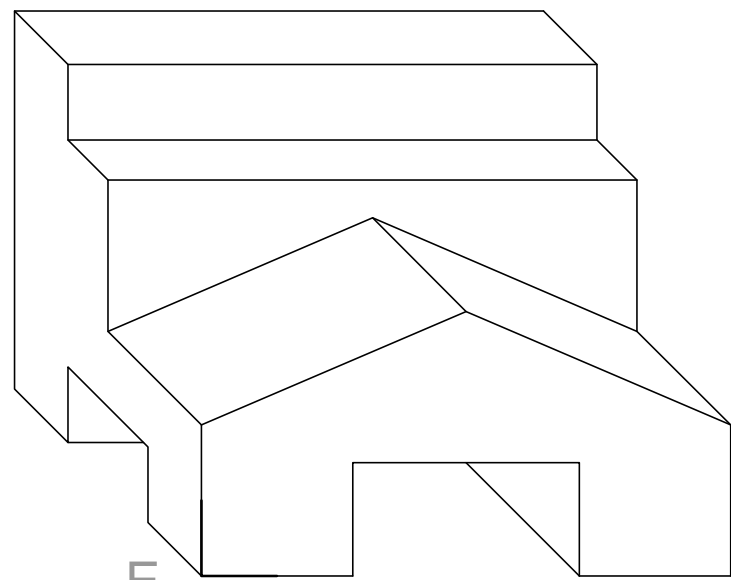
C



F



D



E

DRG NO. : 2

DATE:

OBLIQUE PROJECTION

NAME:

CLASS: